

ADVR-2100M

Hybrid Universal Analog/Digital 1 or 3 phase 5Amp
Self Excited, Shunt, Auxiliary Winding, Harmonic
Power or PMG Automatic Voltage Regulator

Features

- Power input single phase 60 to 300 Vac @ 50 to 500 Hz
- Sensing input 1 or 3 phase 220 to 600 Vac programmable
- Voltage regulation less than +/-0.5%
- 50/60 Hz selectable
- Multiple power input source SHUNT, AUX, HARMONIC, PMG
- Inverse-time over excitation & under frequency protection
- Soft start voltage ramping
- Built-in high capacity protection fuse
- Panel mounted, internal wiring external adjustment
- Digital circuit for voltage sensing and under frequency protection
- Effectively minimize the output voltage variations and under frequency knee point drifted affected by temperature changes



ADVR-2100M
www.kutai.com.tw

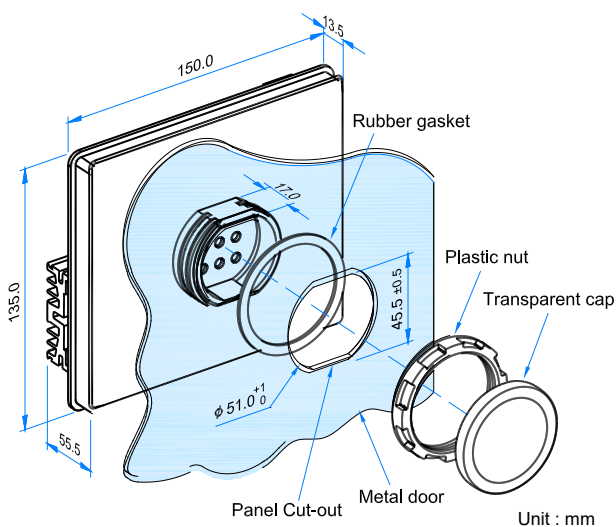
Specifications

Sensing Input	Voltage 220 to 600 Vac 1 or 3 phase DIP switch setting Frequency 50/60 Hz DIP switch setting	Static Power Dissipation	Max. 12 watts
Power Input	Voltage 60 to 300 Vac 1 phase 2 wire Frequency 50 to 500 Hz	Burden in Shunt & PMG Wiring	550 VA @ power input 110 Vac 1100 VA @ power input 220 Vac
Excitation Output	Voltage Continuous 125 Vdc @ power input 220 Vac Current Continuous 5A Intermittent 7A for 10 secs. Resistance ≥ 13 ohms @ power input 110 Vac ≥ 25 ohms @ power input 220 Vac	Quadrature Droop Input	CT 1A or 5A > 5VA (DIP switch setting) Sensitivity Max. +/-7% @ P.F +/-0.7
External Volts Adjustment	Max. +/-5% @ 500 ohm 1 watt potentiometer Max. +/-10% @ 1K ohm 1 watt potentiometer	Analogue Input	Input resistance greater than 2K ohms Max. Input +/-5 Vdc or +10 Vdc Sensitivity 1 Vdc for 2.5% Generator Volts
Voltage Regulation	Less than +/-0.5% (with 4% engine governing)	Under Frequency Protection (Factory Presets)	50 Hz system knee point at 45 Hz 60 Hz system knee point at 55 Hz
Build Up Voltage	5Vac 25Hz residual volts at power input terminal	Over Excitation Protection	Inverse-time 125 +/- 4 Vdc @ power input 220 Vac
Soft Start Ramp Time	4 seconds +/-10%	Voltage Thermal Drift	Less than 3% at -40 to +70 °C
EMI Suppression	Internal electromagnetic interference filtering		

Environment

Operating Temperature	-40 to +60 °C	Relative Humidity	Max. 95%
Storage Temperature	-40 to +85 °C	Vibration	5.5 Gs @ 60 Hz

Dimensions



AVR Control Functions

VOLT	Voltage adjustment
STAB	Stability adjustment
U/F	Setting under frequency protection knee point
DROOP	Droop adjustment
TRIM	Analogue input adjustment
DIP	Voltage droop ratio setting
O/E LED	Over excitation protection indicator
U/F LED	Under frequency protection indicator

Physical Specifications

Dimensions	150.0 (L) x 135.0 (W) x 55.5 (H) mm 5.91 (L) x 5.31 (W) x 2.19 (H) inch
Weight	470 g +/-2% 1.04 lb +/-2%

