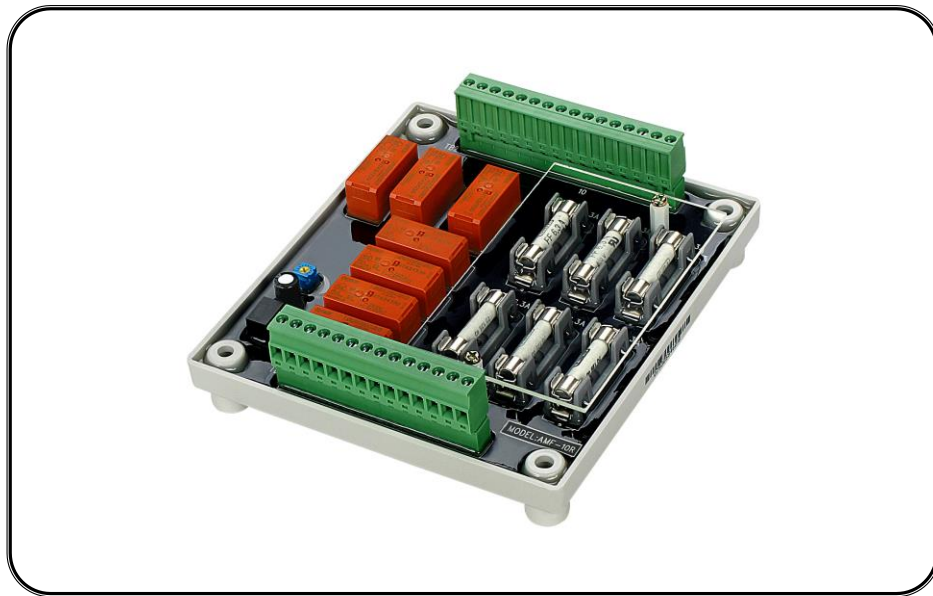


AMF-10R

AMF Controller Interface Module



Optional Accessory to Save Time in Wiring the AMF Control Panel



固也泰電子工業有限公司
KUTAI ELECTRONICS INDUSTRY CO., LTD.



Headquarters : No.3, Ln. 201, Qianfu St., Qianzhen Dist., Kaohsiung City 80664, Taiwan

Tel : + 886-7-8121771

Fax : + 886-7-8121775

URL : <http://www.kutai.com.tw>

AMF Controller Interface Module

1. INTRODUCTION

AMF-10R Interface Module is use to simplify wiring in electrical operation and mechanical maintenance transfer switch connecting to assorted brand AMF Controller available on the worldwide Markets.

The module is built-in with full phase protection fuses for Mains and Generator circuits. The pluggable terminal block design makes the wiring connection a whole lot easier and faster. Installer only needs to connect to the correct control signal terminal to complete the installation

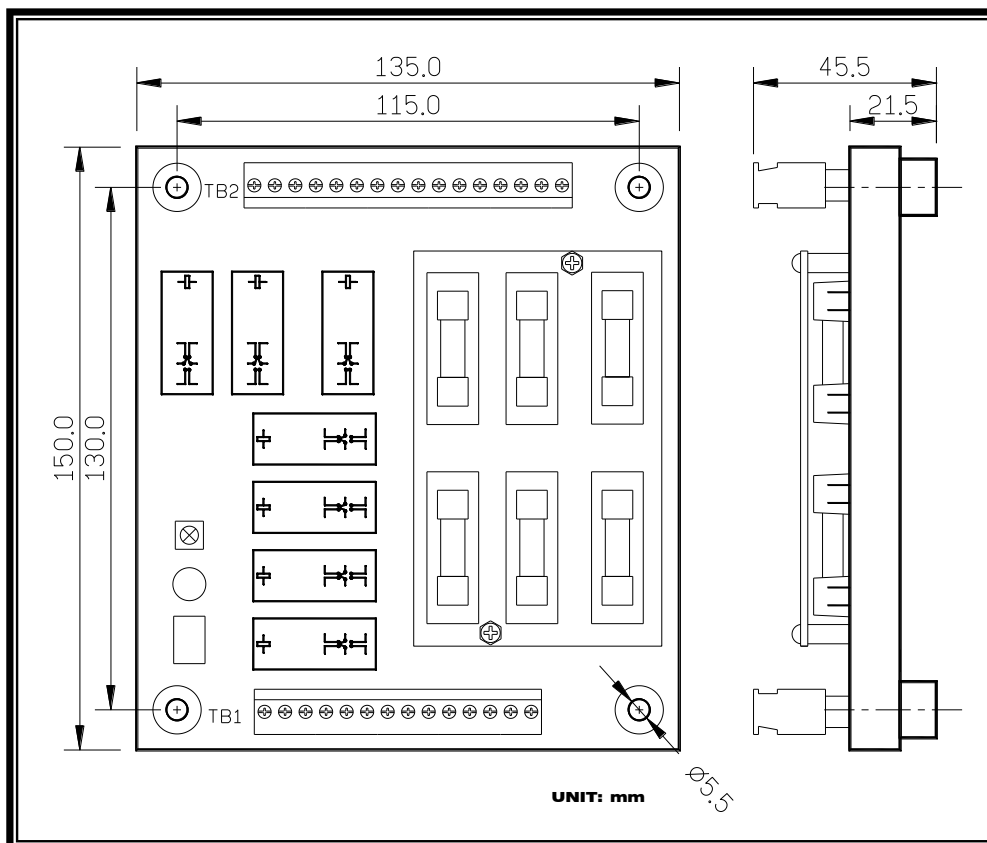
The AMF-10R is compatible to all types of AMF controllers available on the market, for example the Kutai AMF-10, Lovato RGAM, Bernini BN series, Deepsea DSE series and many more. The module also provides connection for assort of transferring switches for example, the single motor driven transfer switch (e.g. The Kutai MCCB type Basic Transfer Switch), the twin motor driven transfer switch (e.g. The Terasaki-MOT, Merlin Gerin-MCB) and the Double Throw Solenoid switch (e.g. Aichi, Takada and many more).

The AMF-10R module provides an adjustable transfer countdown timer from 9~17sec adjusted via a built in potentiometer. The timer starts the countdown when the transfer switch is energized to make the transfer. When the countdown is completed, the module automatically cuts off the launch (start) signal to prevent danger of repetition power source transfer if the over-load or short-circuit trip occurs.

AMF-10R allows wide range of operating power inputs from 9 ~ 35VDC. The Installer can easily alter the wiring connection and change the system voltage from AC220V to AC380V without the use of transformer. In addition, the module also offers indication lighting output terminal to provide the control panel with lighting indication of the power source status

The Module is insulated with high anti-corrosion UL94-V0 epoxy, suitable for use in the hostile environment inside the genset control panel.

2. AMF-10R OUTLINE DIMENSION



3. AMF-10R TERMINALS DESCRIPTION

3.1 PLUGGABLE TERMINAL BLOCK TB1

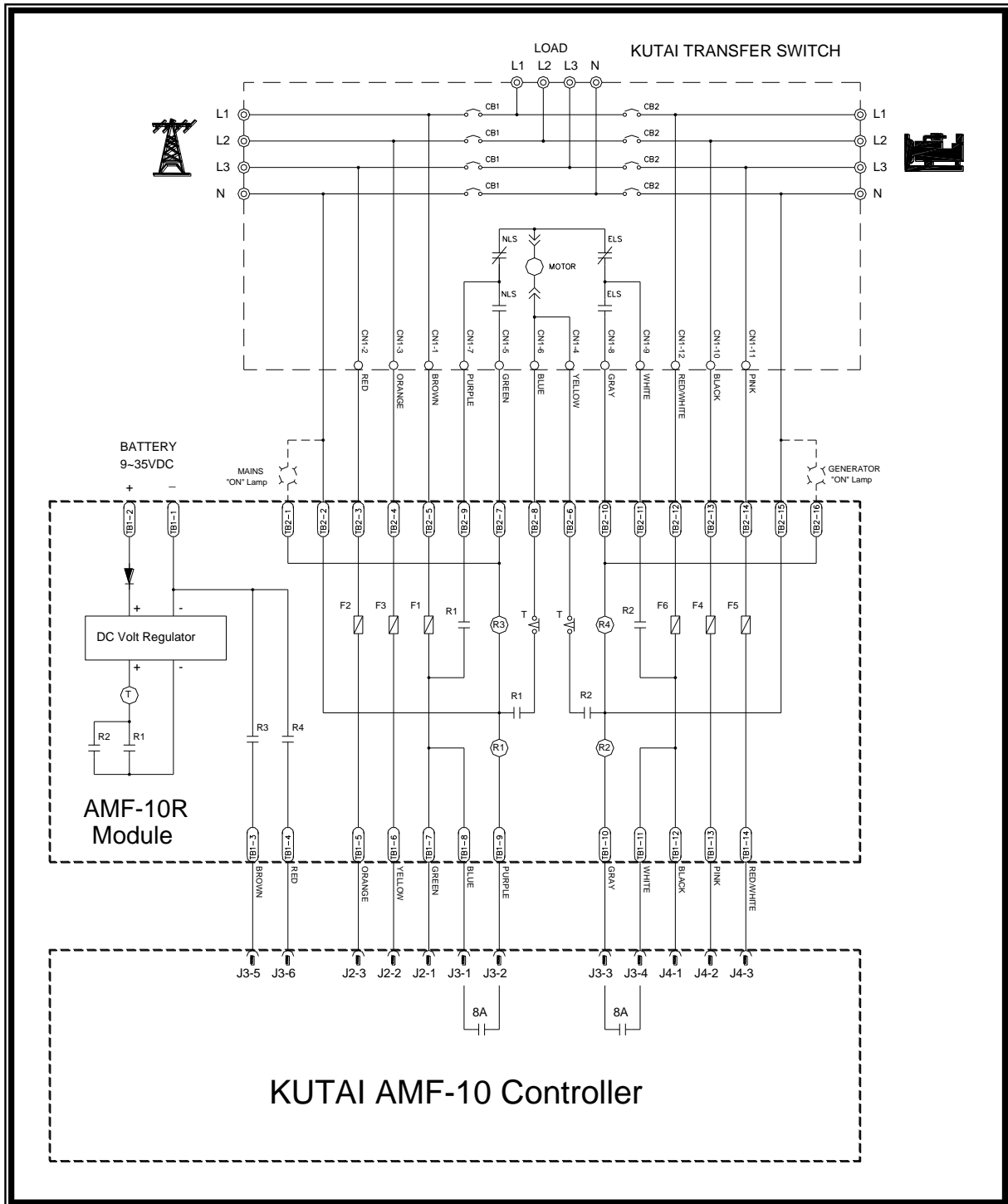
PIN NO.	DESCRIPTION	NOTES
TB1-1	DC Supply Input (-V)	Connect to Battery Negative (-V)
TB1-2	DC Supply Input (+V)	Connect to Battery Positive (+V)
TB1-3	Mains "ON" Aux. output	Connect to the AMF Unit Mains "ON" detected terminal
TB1-4	Generator "ON" Aux. output	Connect to the AMF Unit Generator "ON" detected terminal
TB1-5	Mains L3 output	Connect to AMF Unit Mains L3 Input Terminal
TB1-6	Mains L2 output	Connect to AMF Unit Mains L2 Input Terminal
TB1-7	Mains L1 output	Connect to AMF Unit Mains L1 Input Terminal
TB1-8	Mains "ON" Signal Input	Connect to AMF Unit Mains "ON" Terminal
TB1-9	Mains "ON" Signal Input	Connect to AMF Unit Mains "ON" Terminal
TB1-10	Generator "ON" Signal Input	Connect to AMF Unit Generator "ON" Terminal
TB1-11	Generator "ON" Signal Input	Connect to AMF Unit Generator "ON" Terminal
TB1-12	Generator L1 Output	Connect to AMF Unit Generator L1 Input Terminal
TB1-13	Generator L2 Output	Connect to AMF Unit Generator L2 Input Terminal
TB1-14	Generator L3 Output	Connect to AMF Unit Generator L3 Input Terminal

3.2 PLUGGABLE TERMINAL BLOCK TB2

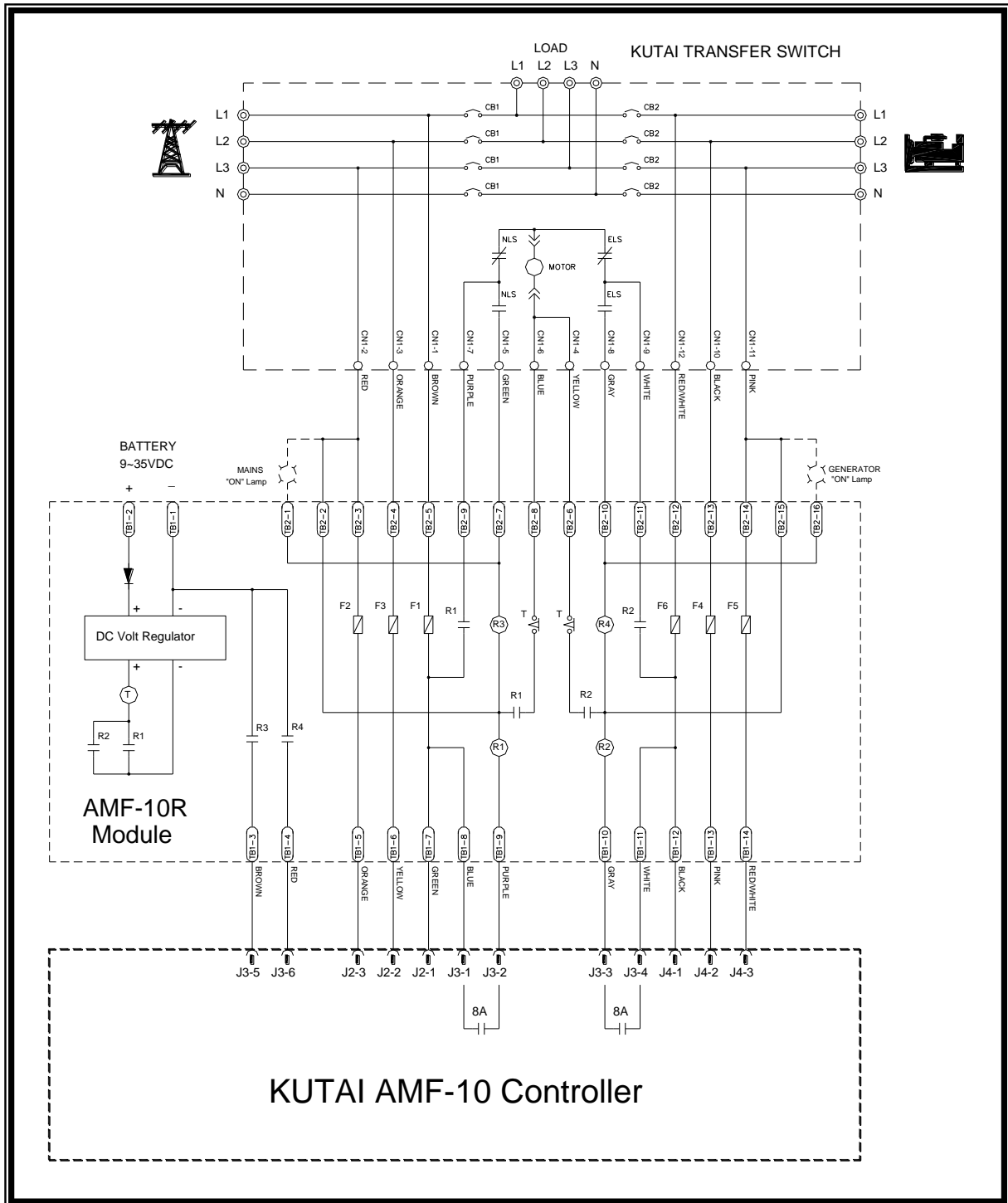
PIN NO.	DESCRIPTION	NOTES
TB2-1	Mains "ON" Lamp Output	Connect to External Mains "ON" Lamp
TB2-2	Mains Phase N Input	Connect to Mains Phase N Terminal on 380V System
TB2-3	Mains L3 Input	Connect to Mains Phase L3
TB2-4	Mains L2 Input	Connect to Mains Phase L2
TB2-5	Mains L1 Input	Connect to Mains Phase L1
TB2-6	Generator On output	Connect to Transfer Switch Generator On Terminal
TB2-7	Mains "ON" Aux. Input	Connect to Transfer Switch Mains On Aux. Switch
TB2-8	Mains On output	Connect to Transfer Switch Mains On Terminal
TB2-9	Mains On output	Connect to Transfer Switch Mains On Terminal
TB2-10	Generator "ON" Aux. Input	Connect to Transfer Switch Generator On Aux. Switch
TB2-11	Generator On output	Connect to Transfer Switch Generator On Terminal
TB2-12	Generator L1 Input	Connect to Generator Phase L1
TB2-13	Generator L2 Input	Connect to Generator Phase L2
TB2-14	Generator L3 Input	Connect to Generator Phase L3
TB2-15	Generator Phase N Input	Connect to Generator Phase N Terminal on 380V System
TB2-16	Generator "ON" Lamp Output	Connect to External Generator "ON" Lamp

4. WIRING DIAGRAM WITH KUTAI BTS and AMF-10

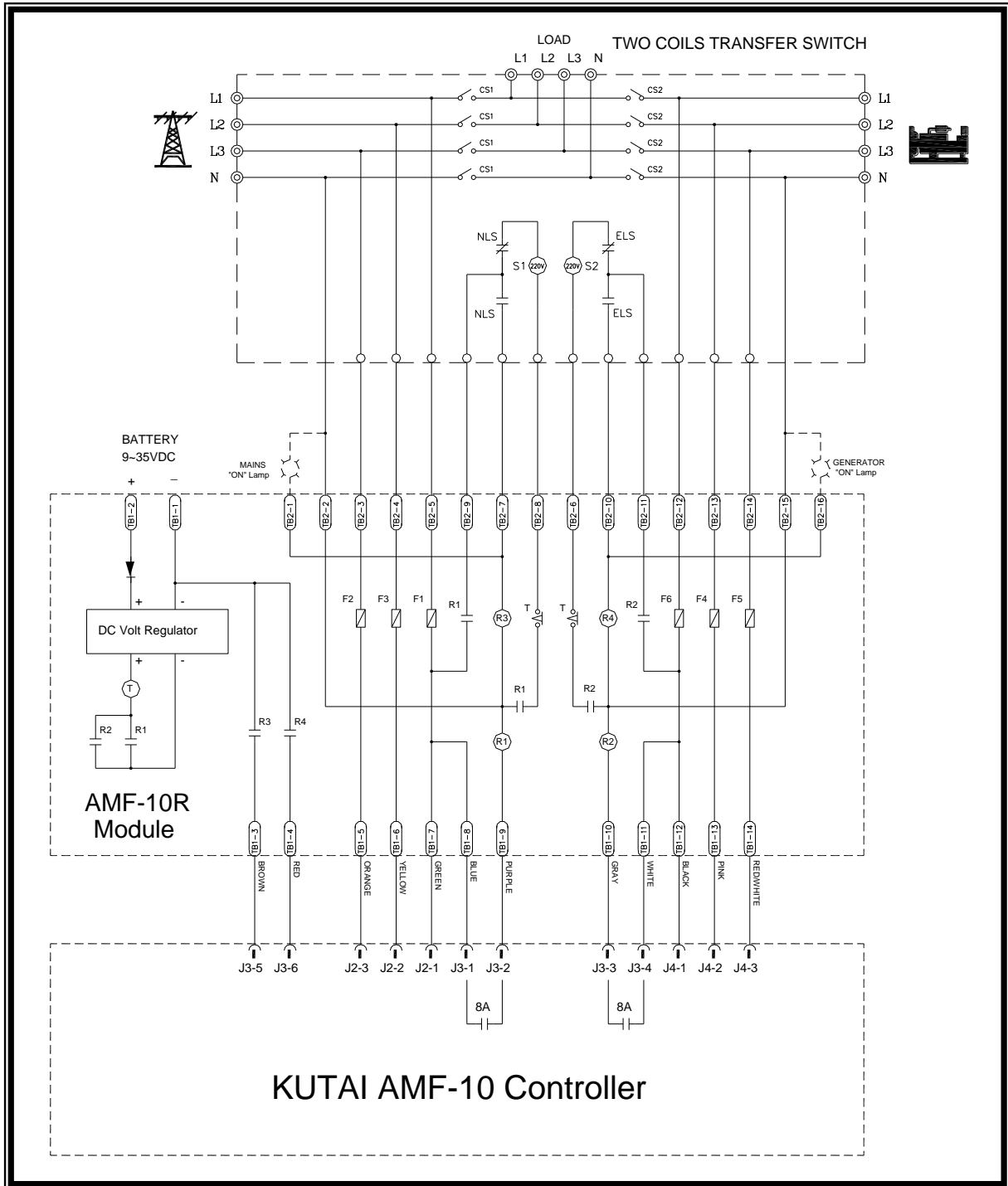
4.1 3 Phase 4 Wires 380V system with Kutai BTS and AMF-10 Controller



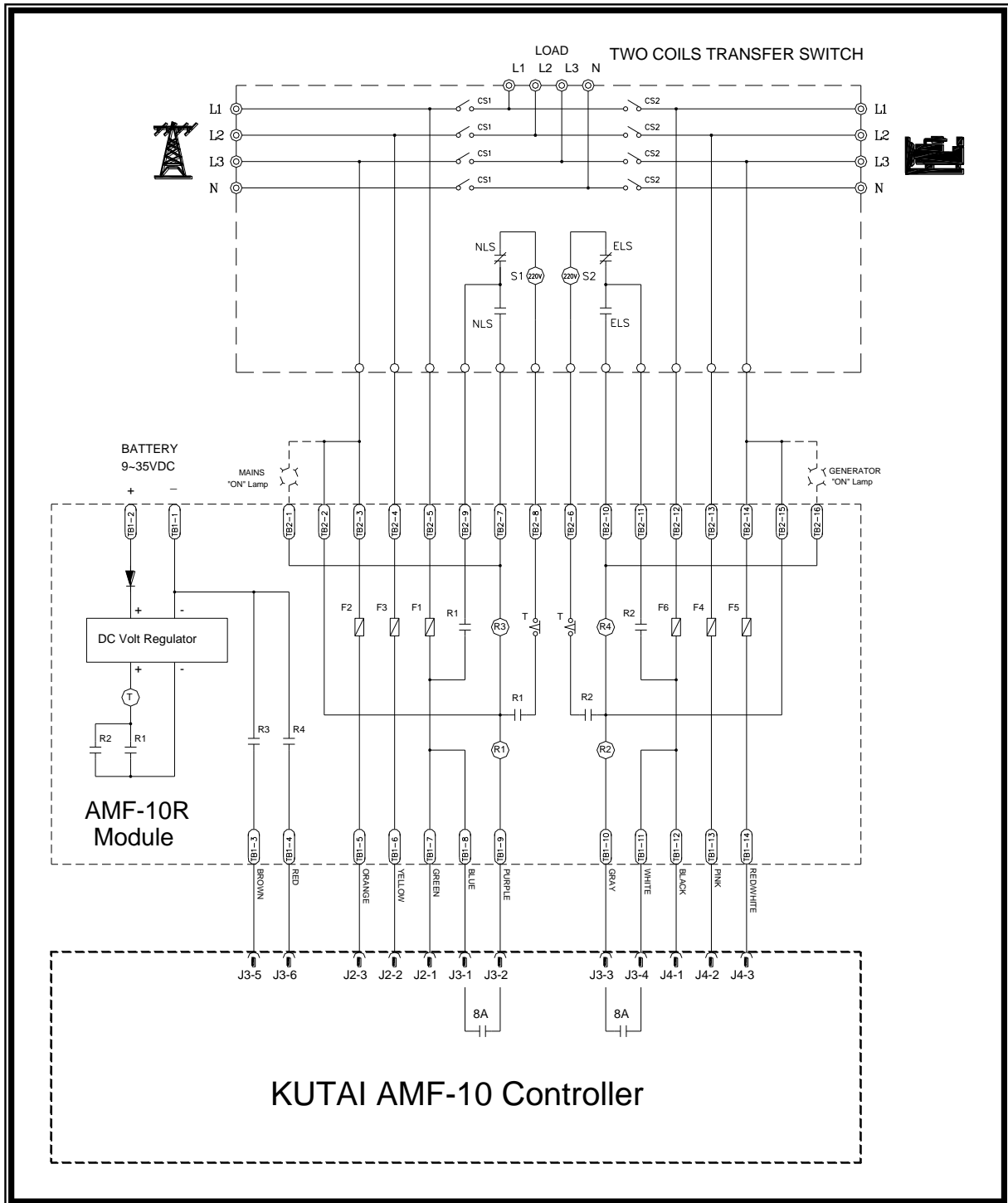
4.2 3 Phase 3/4 Wires 220V system with Kutai BTS and AMF-10 Controller



4.3 3 Phase 4 Wires 380V system with 2 Coils Transfer Switch and Kutai AMF-10 Controller

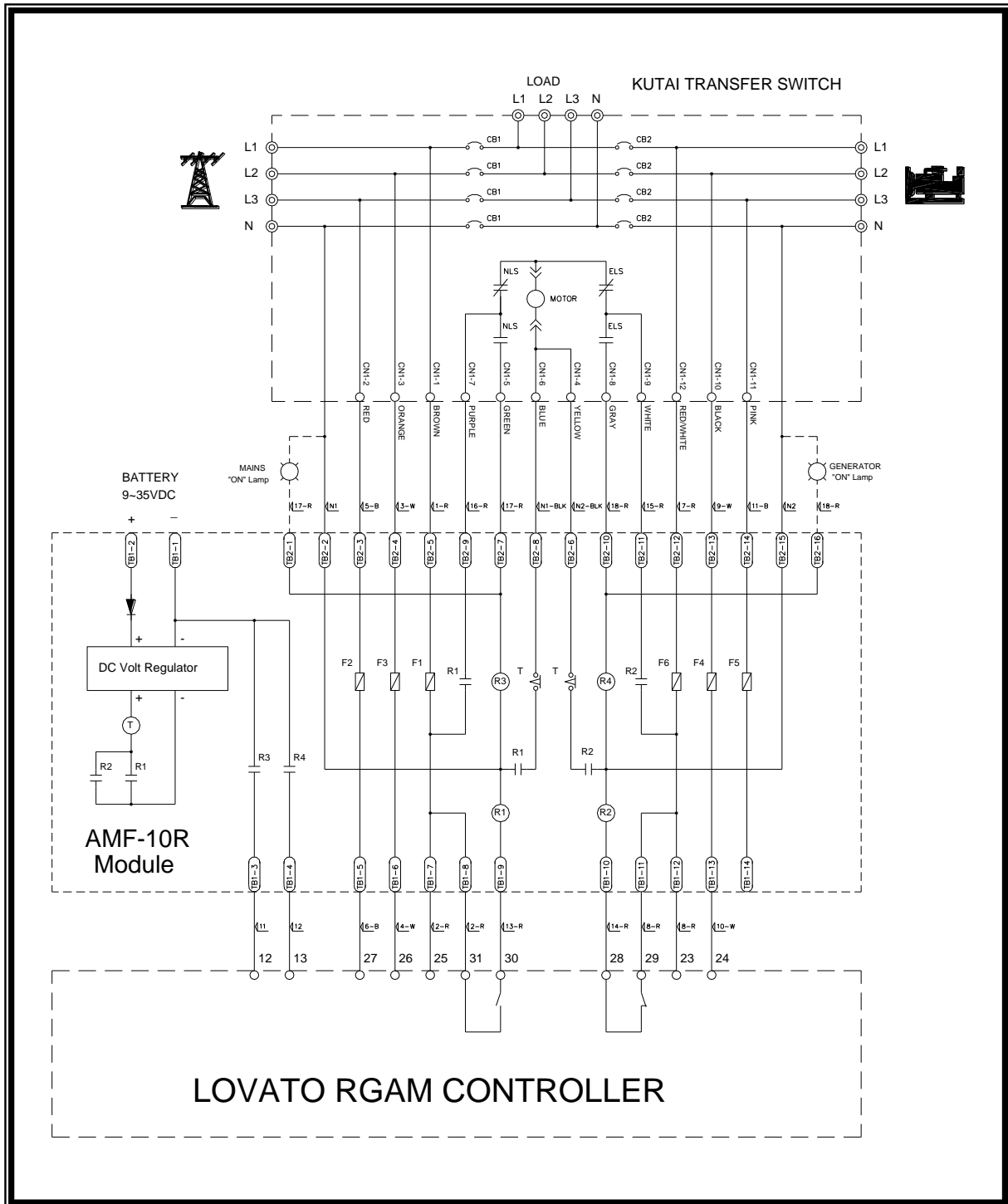


4.4 3 Phase 4 Wires 220V system with 2 Coils Transfer Switch and Kutai AMF-10 Controller

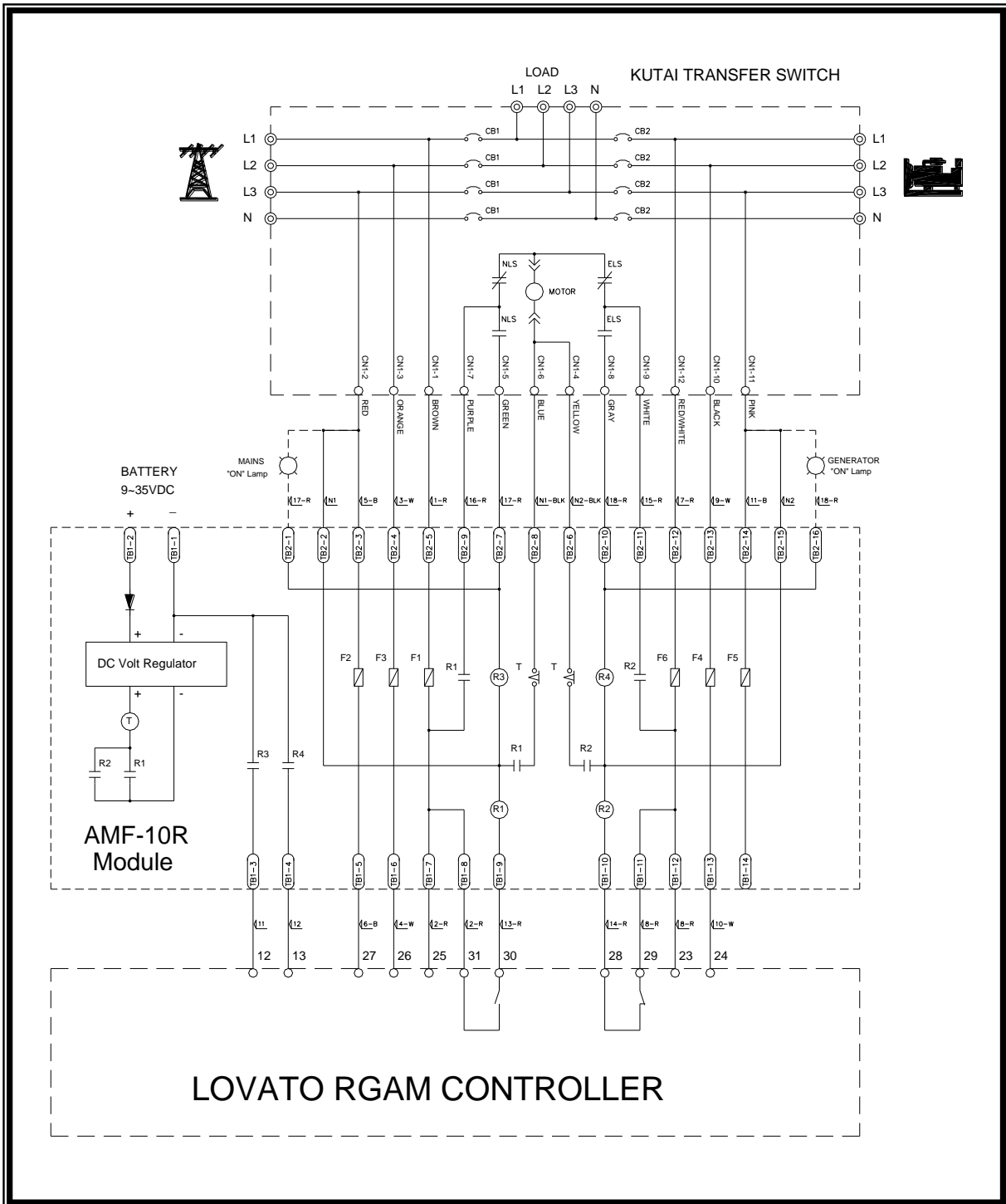


5. WIRING DIAGRAM WITH KUTAI BTS and LOVATO RGAM

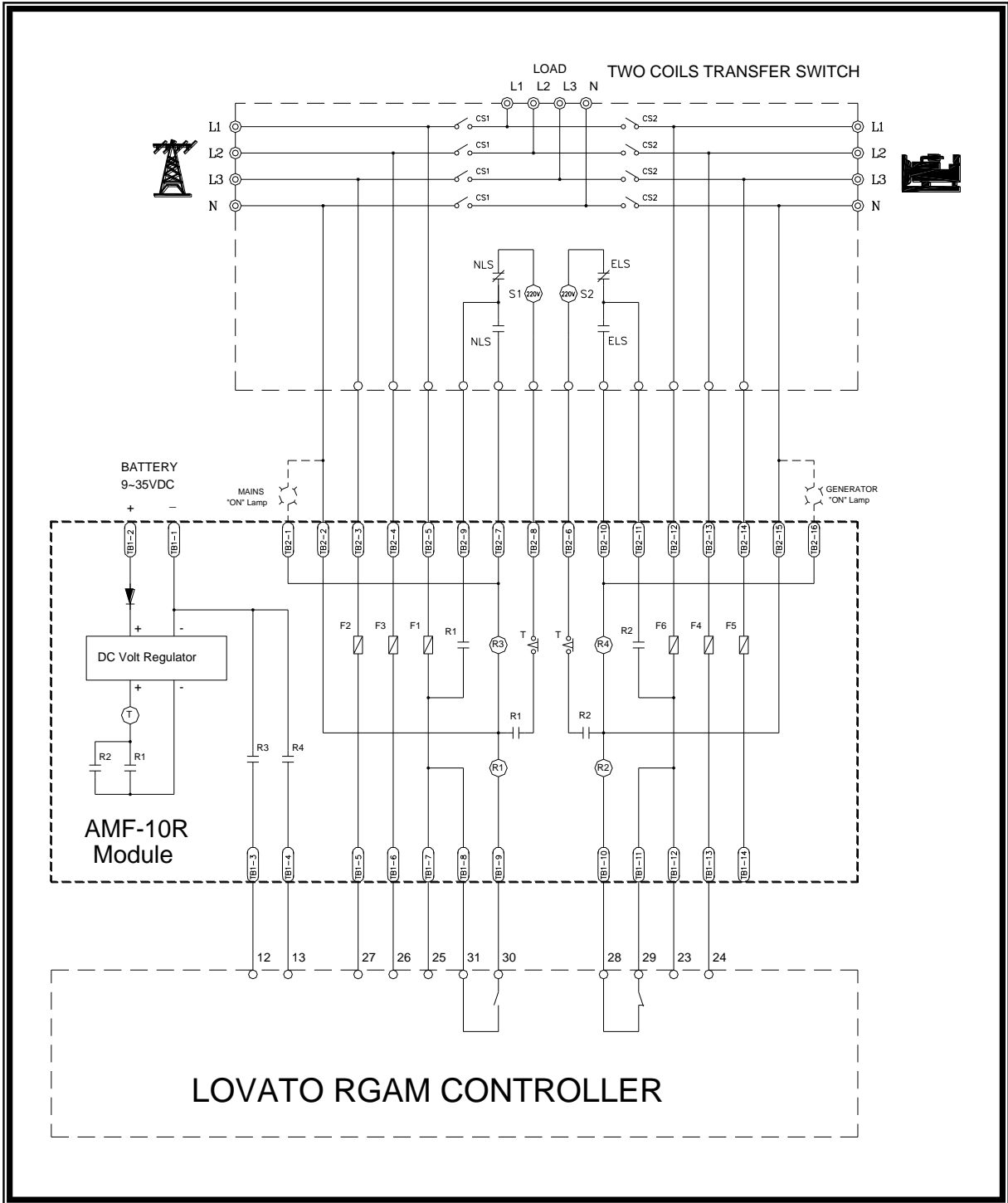
5.1 3 Phase 4 Wires 380V system with Kutai BTS and Lovato RGAM Controller



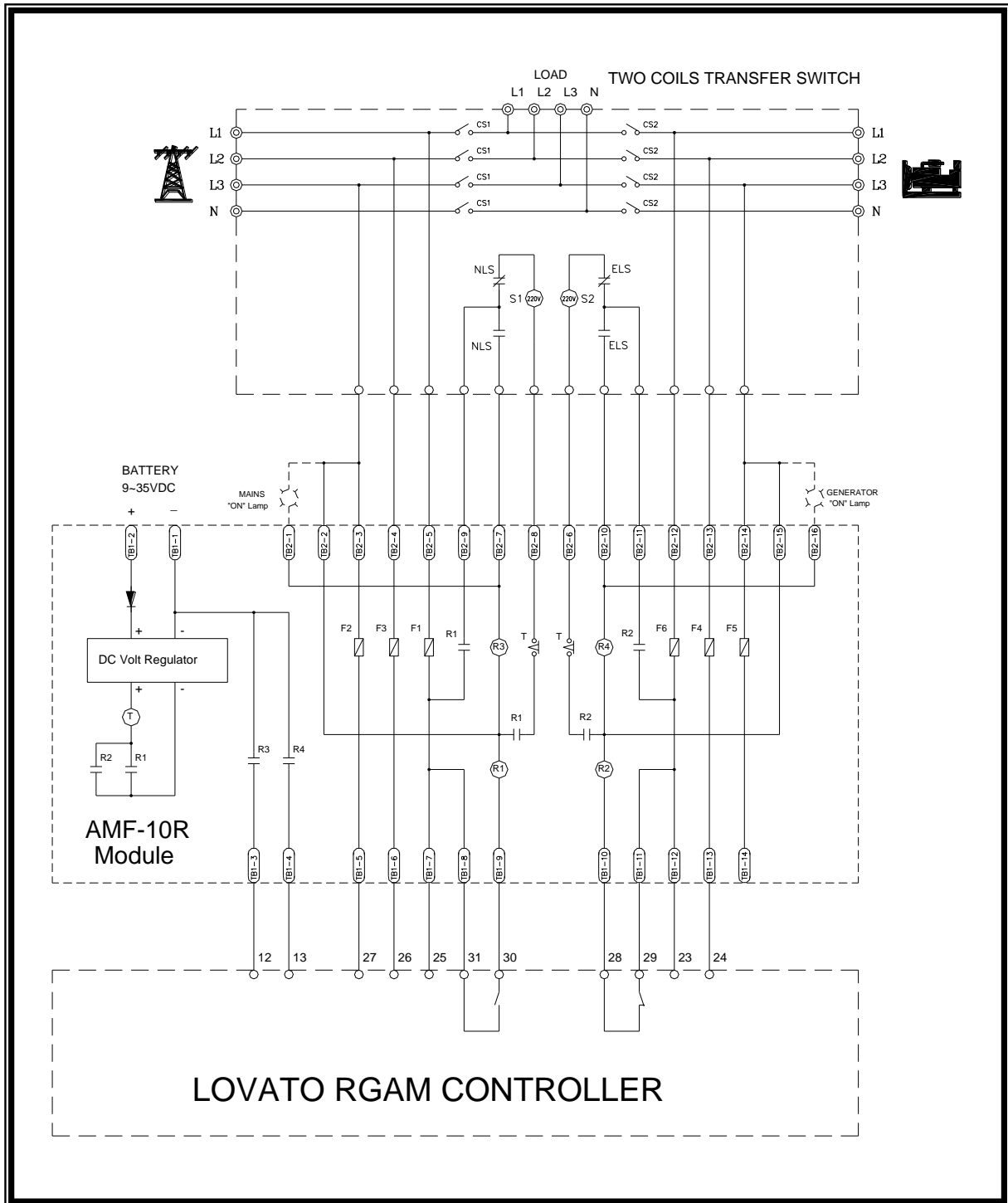
5.2 3 Phase 3/4 Wires 220V system with Kutai BTS and Lovato RGAM Controller



5.3 3 Phase 4 Wires 380V system with 2 Coils Transfer Switch and Lovato RGAM Controller

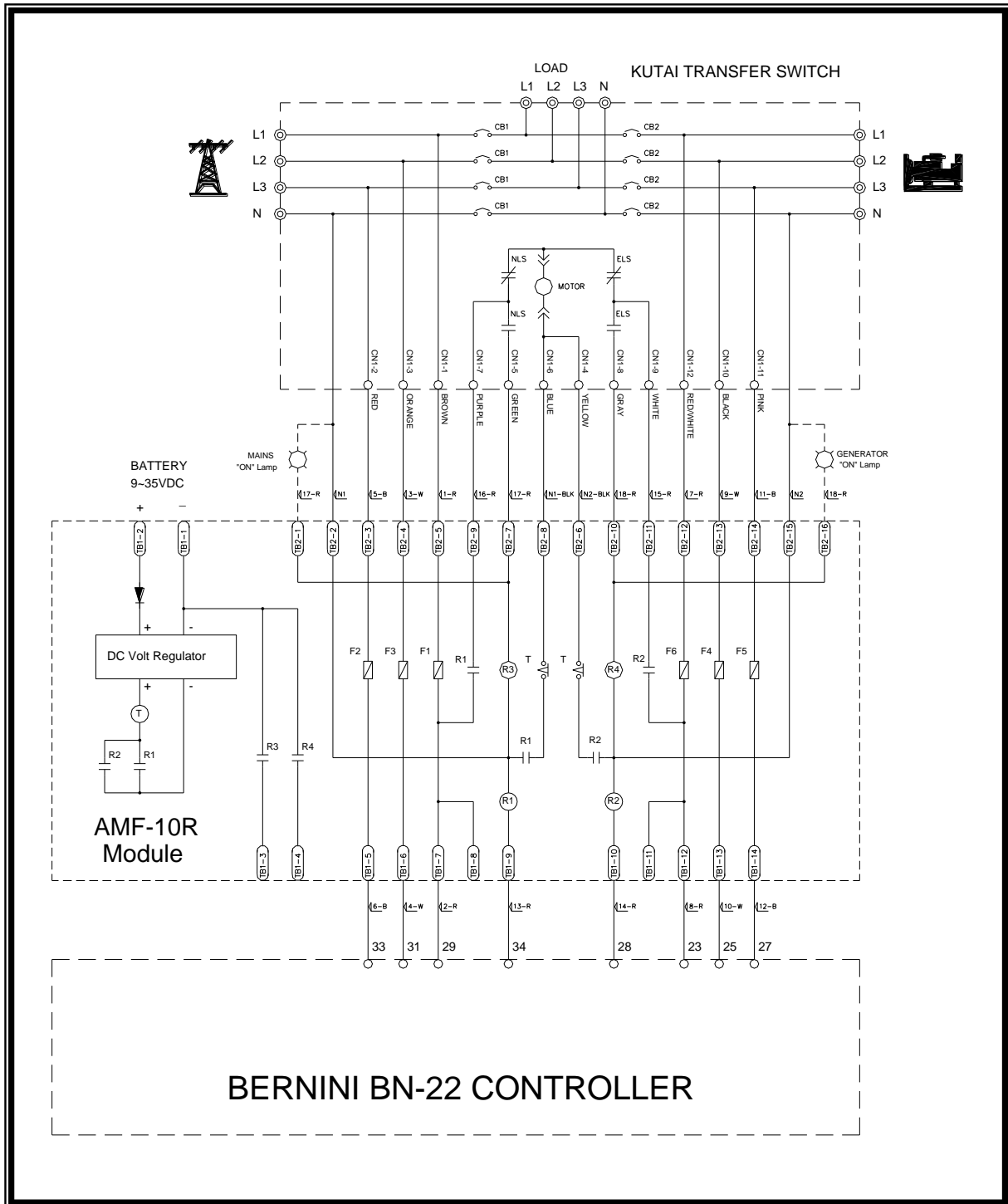


5.4 3 Phase 4 Wires 220V system with 2 Coils Transfer Switch and Lovato RGAM Controller

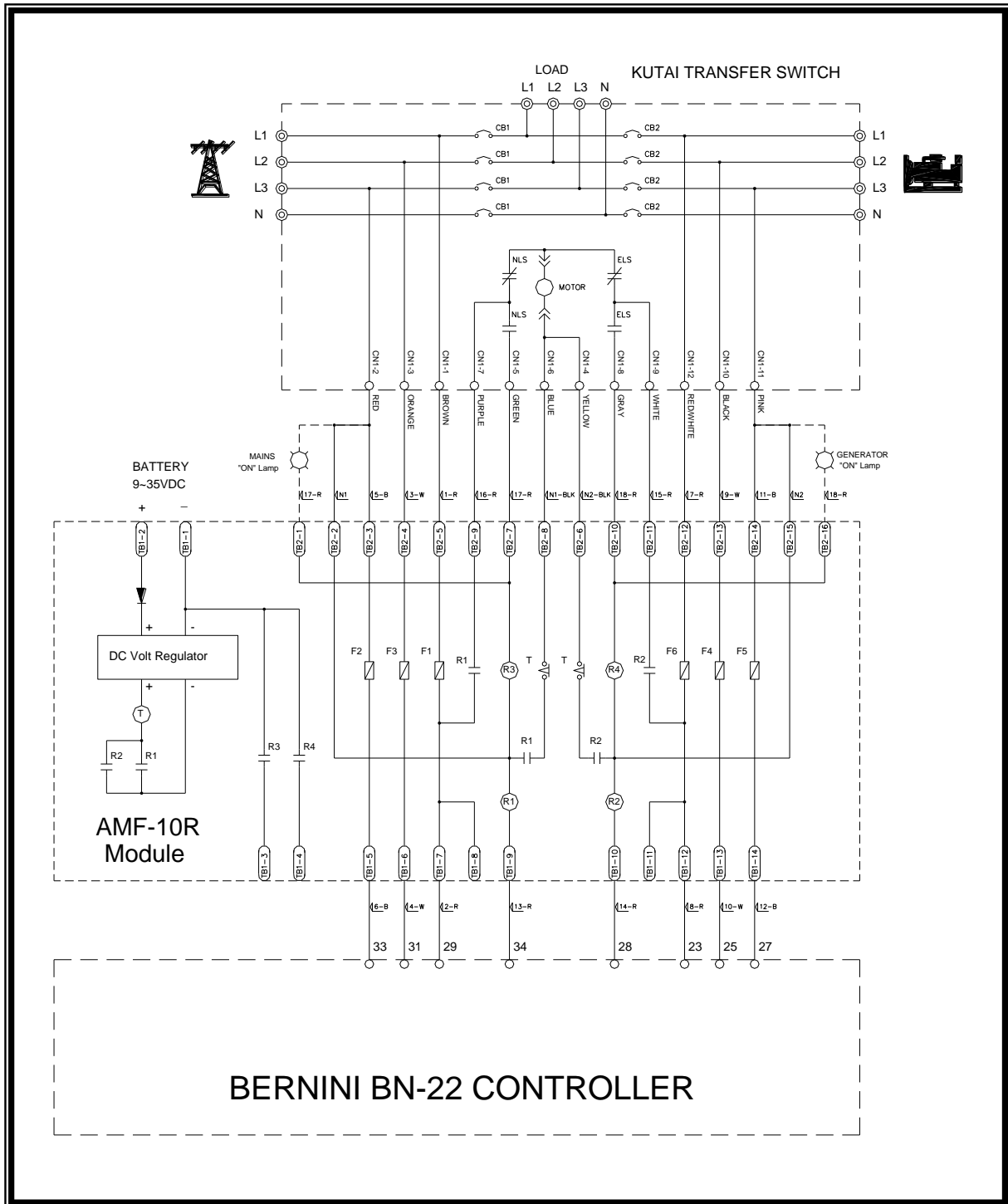


6. WIRING DIAGRAM WITH KUTAI BTS and BERNINI BN-22

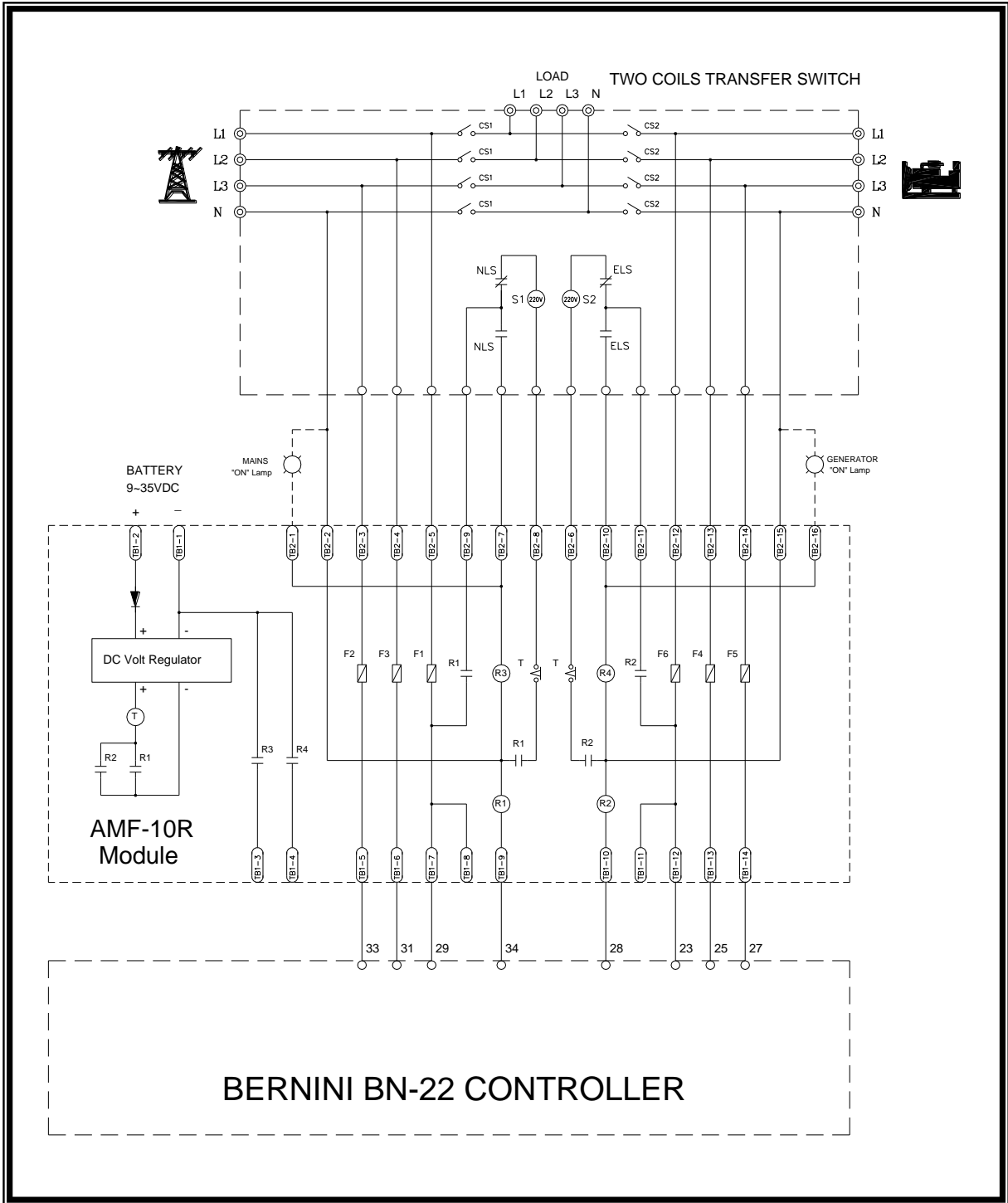
6.1 3 Phase 4 Wires 380V system with Kutai BTS and Bernini BN-22 Controller



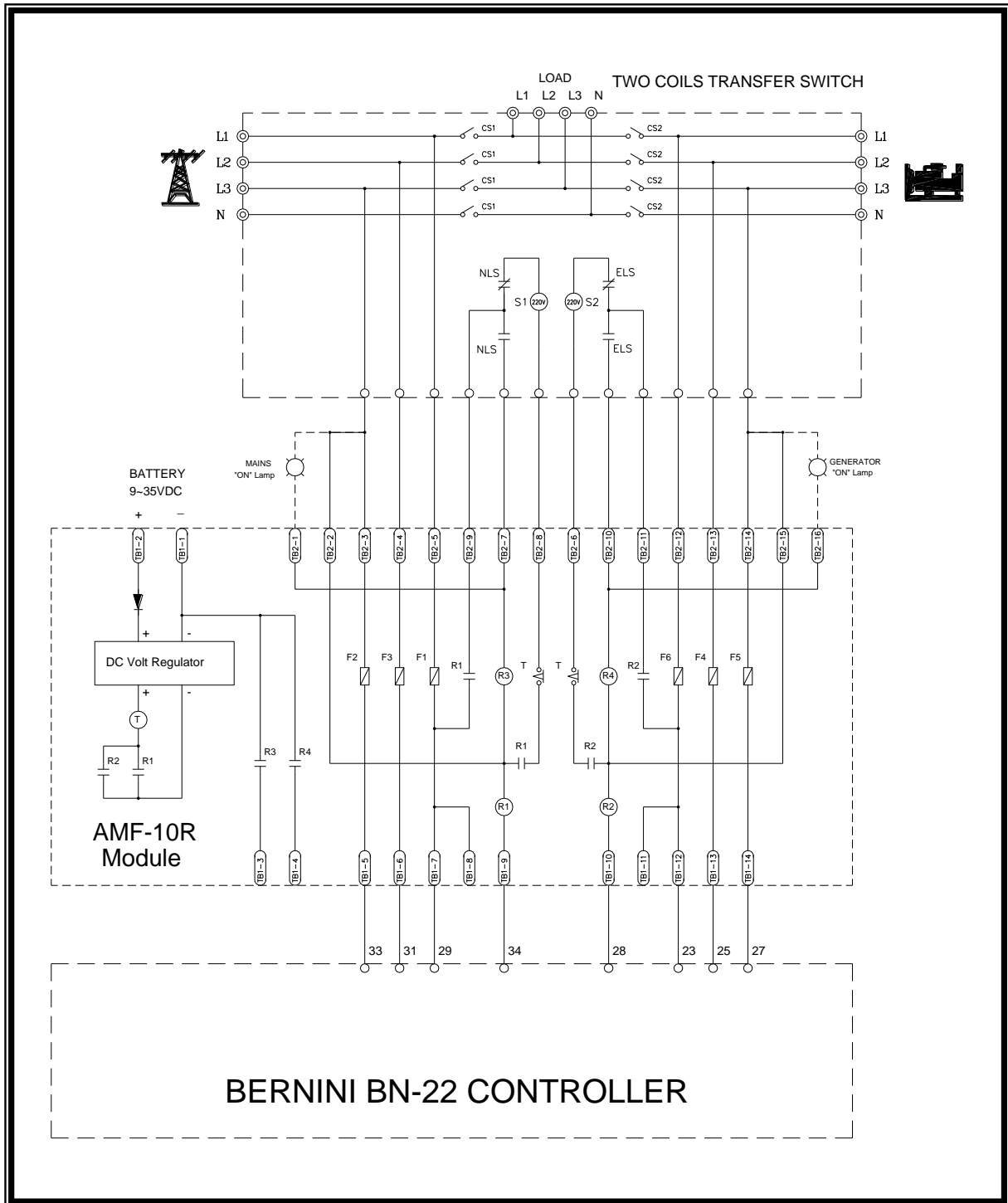
6.2 3 Phase 3/4 Wires 220V system with Kutai BTS and Bernini BN-22 Controller



6.3 3 Phase 4 Wires 380V system with 2 Coils Transfer Switch and Bernini BN-22 Controller

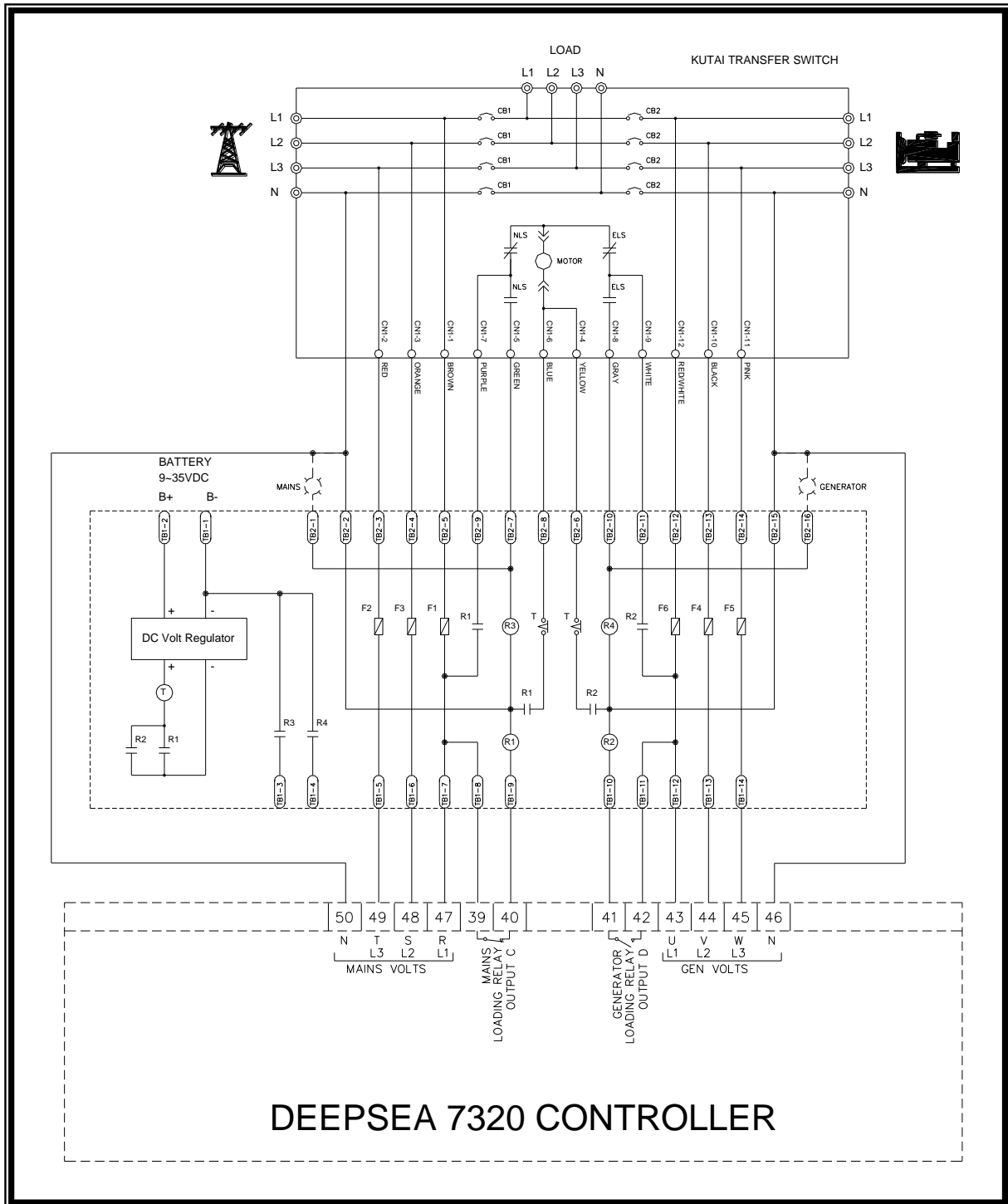


6.4 3 Phase 4 Wires 220V system with 2 Coils Transfer Switch and Bernini BN-22 Controller

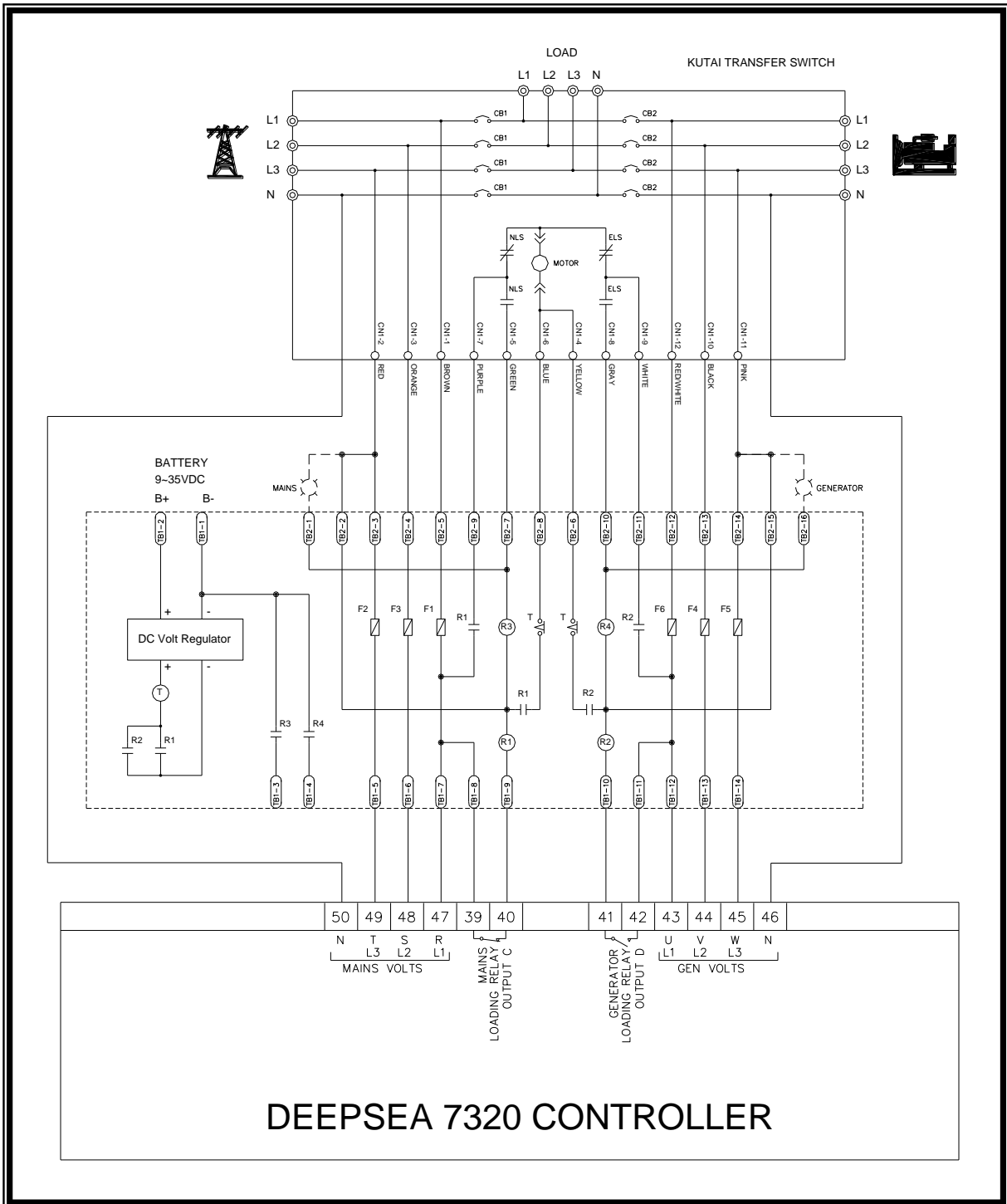


7. WIRING DIAGRAM WITH KUTAI BTS and DEEPSEA 7320

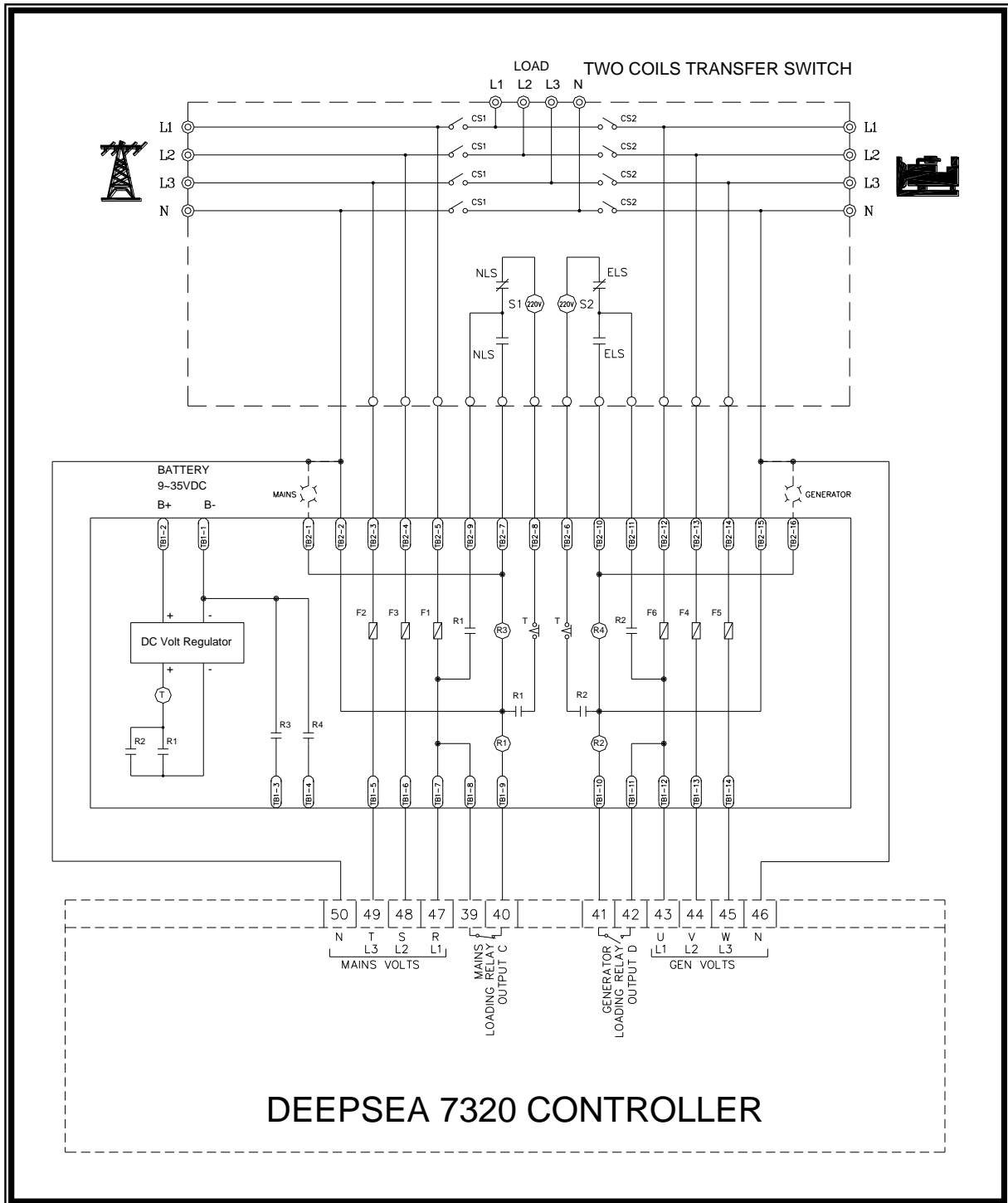
7.1 3 Phase 4 Wires 380V system with Kutai BTS and Deepsea 7320 Controller



7.2 3 Phase 4 Wires 220V system with Kutai BTS and Deepsea 7320 Controller



7.3 3 Phase 4 Wires 380V system with 2 Coils Transfer Switch and Deepsea 7320 Controller



7.4 3 Phase 4 Wires 220V system with 2 Coils Transfer Switch and Deepsea 7320 Controller

