

EA350

Self Excited Automatic Voltage Regulator

Compatible with Marathon SE350 regulator and Basler AVC63-4D regulator

Features

- Voltage regulation less than +/-1%
- Optional 120/240 Vac sensing input switch *1
- 50/60 Hz selectable
- Under frequency protection
- Built-in high breaking capacity fuse
- EMI suppression
- CE EN61204-3:2001 Certified

*1 SE350 and AVC63-4D only fits 220 Vac generators, please use EA350-220V for direct replacement



Specifications

Sensing & Power Input	Voltage	85 to 135 Vac / 190 to 240 Vac	Build Up Voltage	Residual voltage at AVR terminal > 5 Vac
	Frequency	50/60 Hz Jumper selectable	External Voltage Adjustment	+/-5% @ 1K ohm 1 watt potentiometer +/-10% @ 2K ohm 1 watt potentiometer
Output	Voltage	Max. 36 Vdc @ power input 120 Vac	EMI Suppression	Internal electromagnetic interference filtering
		Max. 73 Vdc @ power input 240 Vac	Unit Power Dissipation	Max. 8 watts
Current	Continuous	3.5A	Under Frequency Protection (Factory Presets)	
	Intermittent	7A for 10 seconds	50 Hz system presets knee point at 45 to 51 Hz	
Resistance	Min.	15 ohms	60 Hz system presets knee point at 54 to 61 Hz	
	Max.	100 ohms		
Voltage Regulation	Less than +/-1% (with 4% engine governing)			

Environment

Operating Temperature	-40 to +60 °C
Storage Temperature	-65 to +85 °C
Relative Humidity	Max. 95%
Vibration	1.3 Gs @ 5 to 26 Hz
	5.0 Gs @ 52 to 1000 Hz

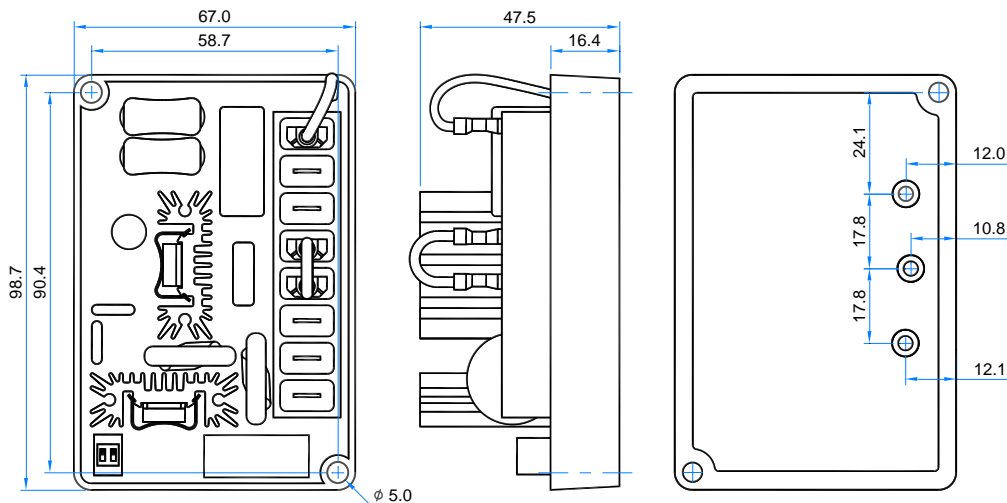
AVR Control Functions

VOLT	Voltage adjustment
STAB	Stability adjustment
U/F	Setting under frequency protection knee point

Physical Specifications

Dimensions	98.7 (L) x 67.0 (W) x 47.5 (H) mm
Weight	205 g +/-2%

Dimensions



Unit : mm

*All manufacturer names and numbers are used for reference purpose only and do not imply that any part is the product of these manufacturer.



KUTAI ELECTRONICS INDUSTRY CO., LTD.
 TEL : +886-7-8121771 FAX : +886-7-8121775 Website : www.kutai.com.tw
 Headquarters : No.3, Ln. 201, Qianfu St., Qianzhen Dist., Kaohsiung City 806037, Taiwan

