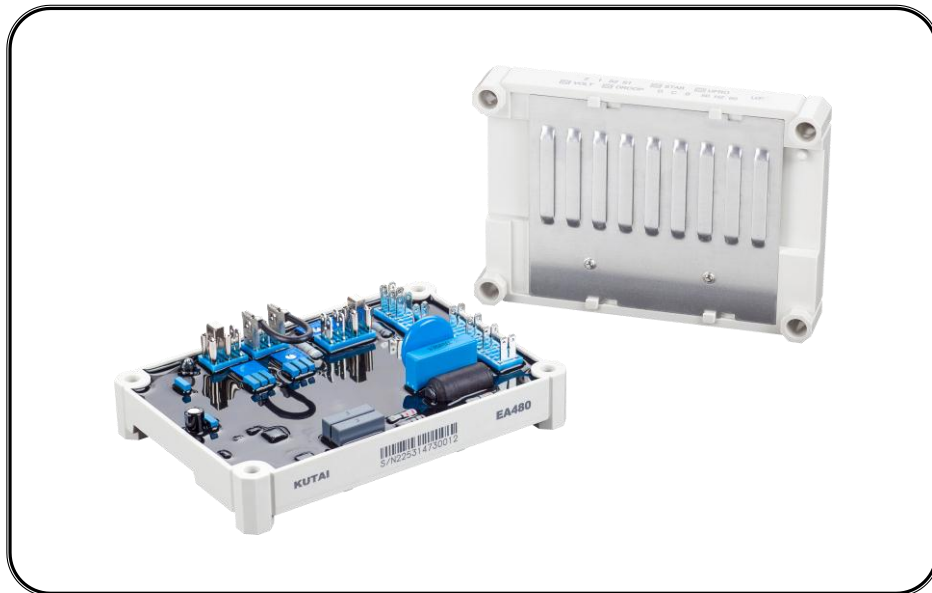


EA480

Generator Automatic Voltage Regulator Operation Manual



Analog, single-phase sensing,
Excitation output 5 Amp with half-wave rectifier
For use with self-excited, brushless generators
Compatible with Newage Stamford AS480*
Supports connection with Stamford Excitation Boost System (EBS)

*Note : The manufacturer name and number are used for reference purpose only and do not imply that any part is the product of these manufacturer.



KUTAI ELECTRONICS INDUSTRY CO., LTD.

TEL : +886-7-8121771

FAX : +886-7-8121775

Website : www.kutai.com.tw

Headquarters : No.3, Ln. 201, Qianfu St., Qianzhen Dist., Kaohsiung City 806037, Taiwan



SECTION 1 : SPECIFICATION

Voltage Sensing / Power Input (7,8) Average Reading

Voltage 60 – 300 Vac, 1 phase 2 wire
Frequency 50/60 Hz (Jumper Selected)

Excitation Output (F1, F2)

110V 1 phase Continuous 31 Vdc 5A
Max. 45 Vdc 7.5A for 10 secs.
220V 1 phase Continuous 63 Vdc 5A
Max. 90 Vdc 7.5A for 10 secs.

Note : If AVR is mounted externally to alternator
continuous current is reduced by 20%

Resistance Min. 6 ohms, Max. 100 ohm @ 110V
Min. 13 ohms, Max. 100 ohm @ 220V

External Voltage Adjustment (1, 2)

Max. +/- 10% @ 1K ohm 1 watt potentiometer
Use 7.5K ohms resistor to enable 110Vac sensing

Voltage Regulation

Less than +/- 0.5% (with 4% engine speed governing)

Build up Voltage

4 Vac 25 Hz residual volts at power input terminal

Soft Start Ramp Time

3 seconds +/- 10%

Typical System Response

Less than 20 milliseconds

EMI

Built-in Harmonic suppression

Static Power Dissipation

Max. 4 watts

Quadrature Droop Input (S1, S2)

Input resistance 10 ohms
Sensitivity 0.07A for 5% voltage drop (PF= 0)
Max. Input 0.33A

Under Frequency Protection (knee point factory preset)

45 Hz for 50 Hz systems
55 Hz for 60 Hz systems

Over Excitation Protection

Excitation Voltage 70 Vdc +/- 10 %
Time Delay 10 – 15 seconds

Voltage Thermal Drift

Less than 3% at temperature range -40 to +70 °C

Environment

Operating Temperature -40 to +60 °C
Storage Temperature -40 to +85 °C
Relative Humidity Max. 95%
Vibration 5.5 Gs @ 60 Hz

Dimensions

130.0 (L) x 90.0 (W) x 39.0 (H) mm
5.12 (L) x 3.54 (W) x 1.54 (H) inch

Weight

260 g +/- 2%
0.573 lb +/- 2%

SECTION 2 : APPEARANCE / DIMENSIONS / INSTALLATION DRAWING

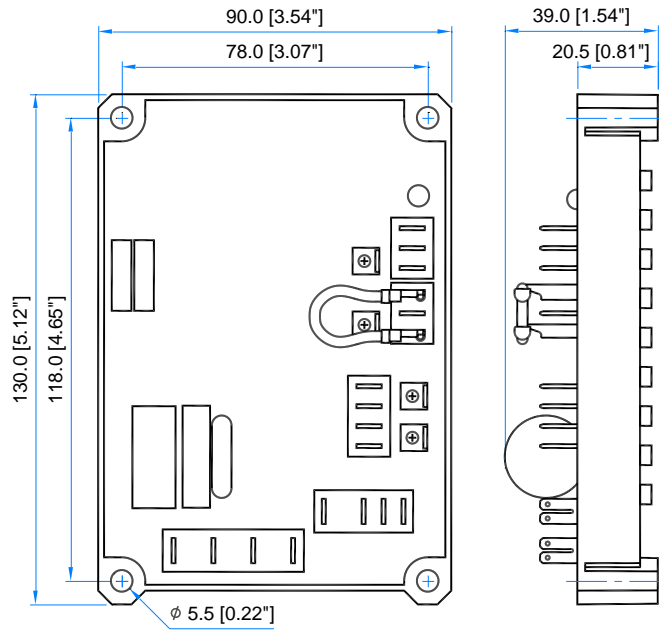


Figure 1 Outline Drawing Unit : mm [inch]

SECTION 3 : LED INDICATORS AND POTENTIOMETER ADJUSTMENTS

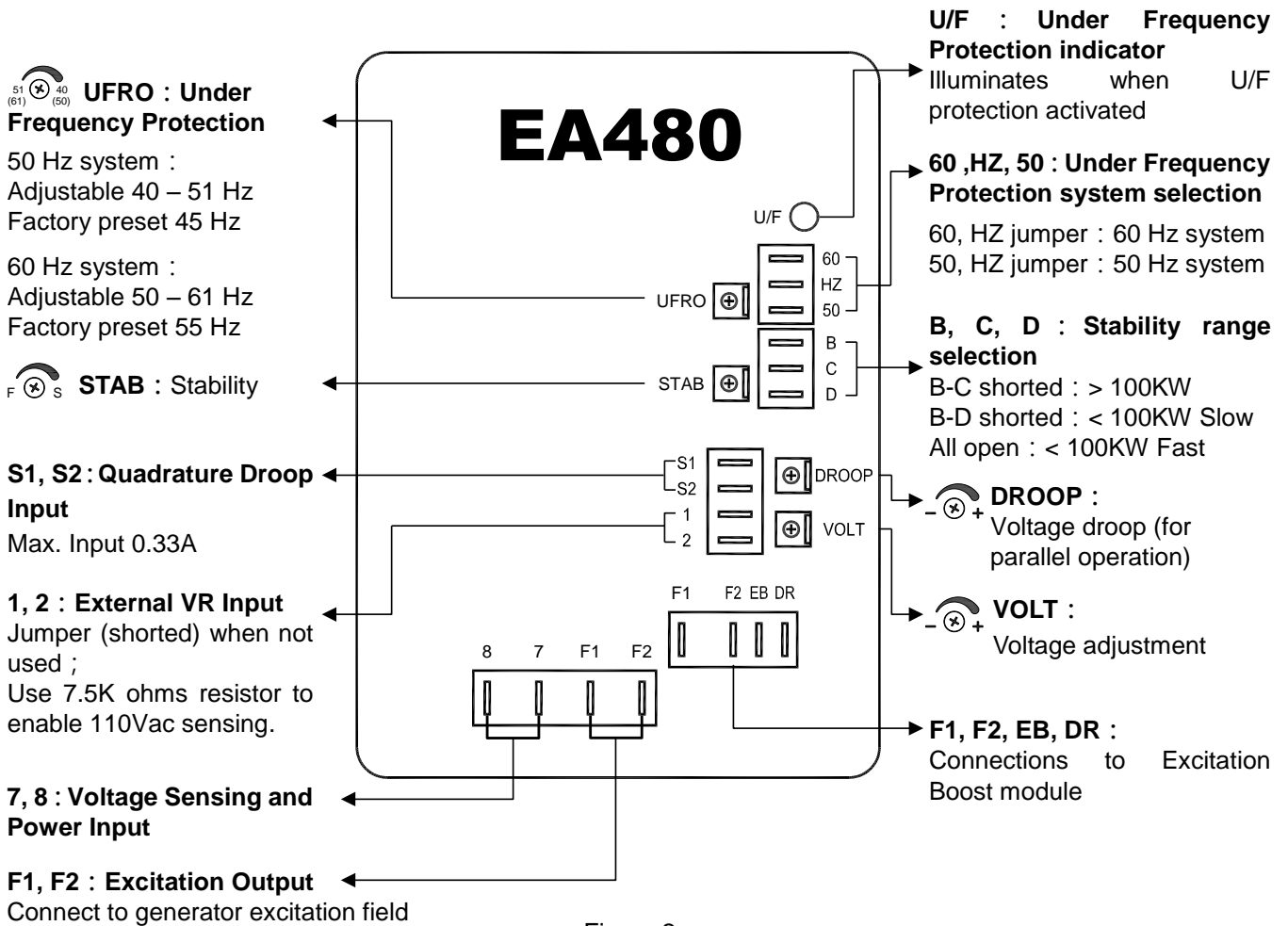


Figure 2

SECTION 4 : CONNECTION DIAGRAMS

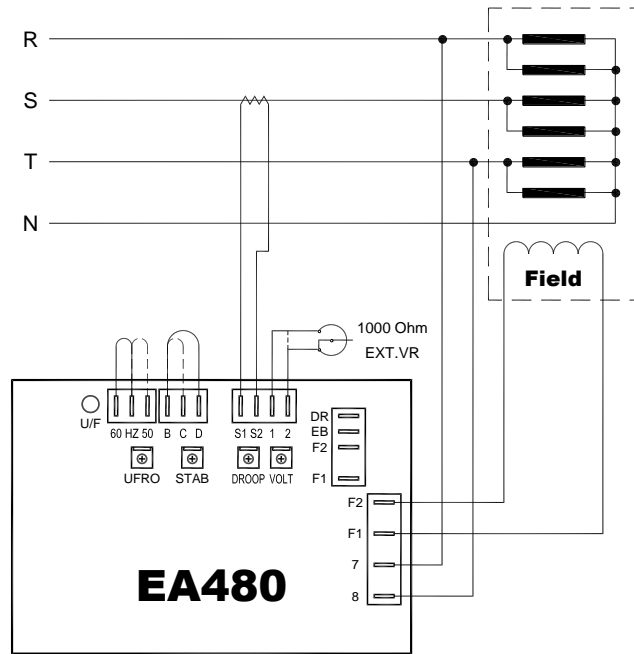


Figure 3 220 Vac

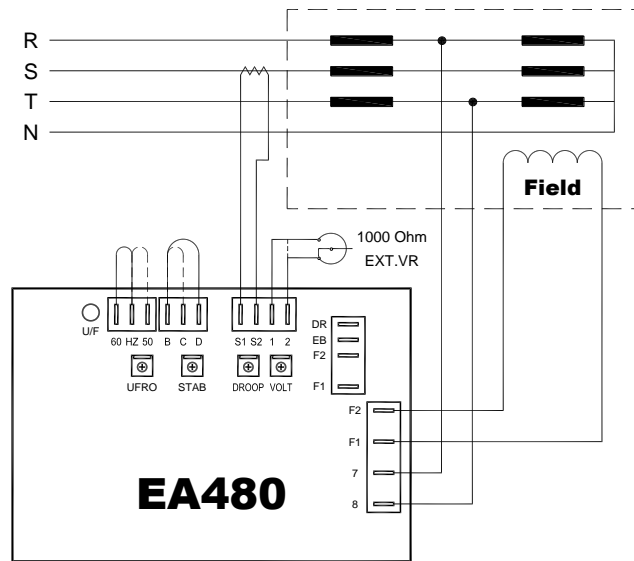


Figure 4 380/440 Vac

ATTENTION

1. Before using a Megger or Withstand Voltage Tester remove the wires connecting the AVR to prevent high voltage damage to the AVR.
2. Improper setting of under-frequency protection could cause the generator output voltage to drop or become unstable with changes in load. Avoid making any changes to the U/F setting unless necessary.

- ※ Use only replacement fuses specified in this user manual.
- ※ Appearance and specifications of products are subject to change for improvement without prior notice.