

EB-9V

Battery-powered Automatic Flashing Module

Insert 9V lithium battery helps generator establish initial voltage build up

Features

- No external battery or DC power supply required, excitation power provided by an internal battery
- Small size, light weight and easy installation saving labor
- Automatic excitation detection requires no manual operation or setting
- Very low static power consumption. Up to 3 years between battery replacement in standby mode
- Battery low voltage indicator reminds user to change battery
- Up to three repeat flashing attempts and will automatically stop when voltage builds up
- Excitation failure indicator. Resets automatically when voltage builds up or engine is stopped
- Battery reverse polarity protection
- Excitation field F+, F- Reverse Polarity Protection
- Built in manual forced excitation push button



Specifications

Sensing Voltage Input	Voltage	1 to 300 Vac 1 phase 2 wire
	Frequency	50/60 Hz
Excitation Output	Voltage	9 Vdc
	Current	700 mA Max.
Flashing Output Conditions	When voltage less than 10Vac at	
	frequency greater than 40Hz	
Flashing Output Time	Excitation output	5 seconds.
		Up to 3 attempts at 5 seconds intervals

Lithium Battery Specifications

Model No.	ULTRALIFE U9VL-J-P	
Voltage	9 Vdc	
Current	Normal Discharge	700 mA Max.
	Pulse Discharge	1050 mA Max.
Capacity	1200 mAh @ 23°C	
Service Life	10 years	

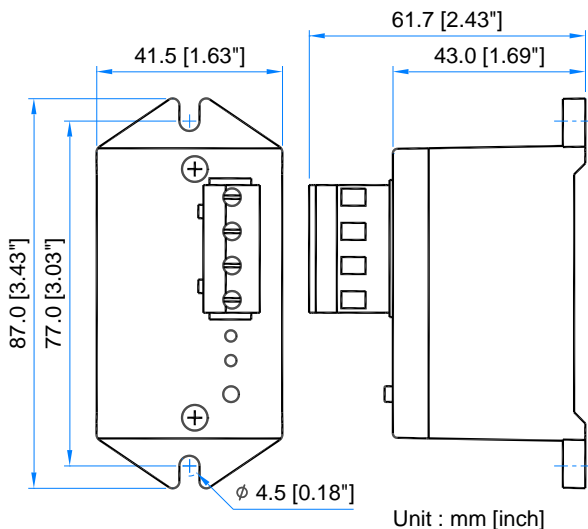
Environment

Operating Temperature	-20 to +60 °C
Storage Temperature	-40 to +60 °C
Relative Humidity	Max. 95%
Vibration	5.0 Gs @ 60 Hz

Physical Specifications

Dimensions	87.0 (L) x 41.5 (W) x 61.7 (H) mm
	3.42 (L) x 1.63 (W) x 2.43 (H) inch
Weight	85 g +/-2%
	0.19 lb +/-2%

Dimensions



Recommended Connections

