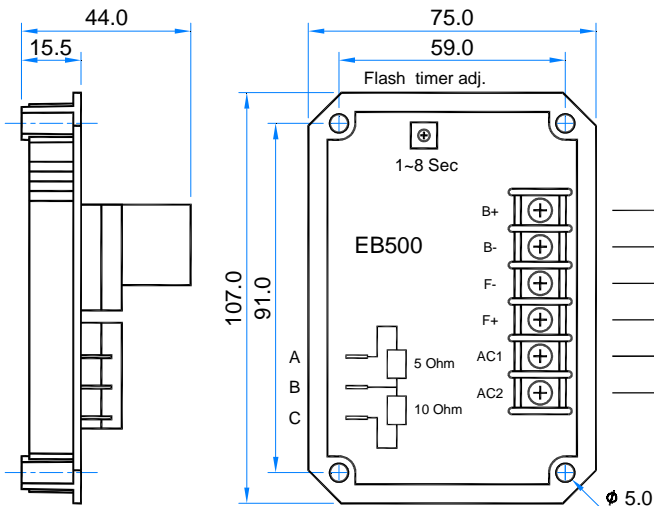
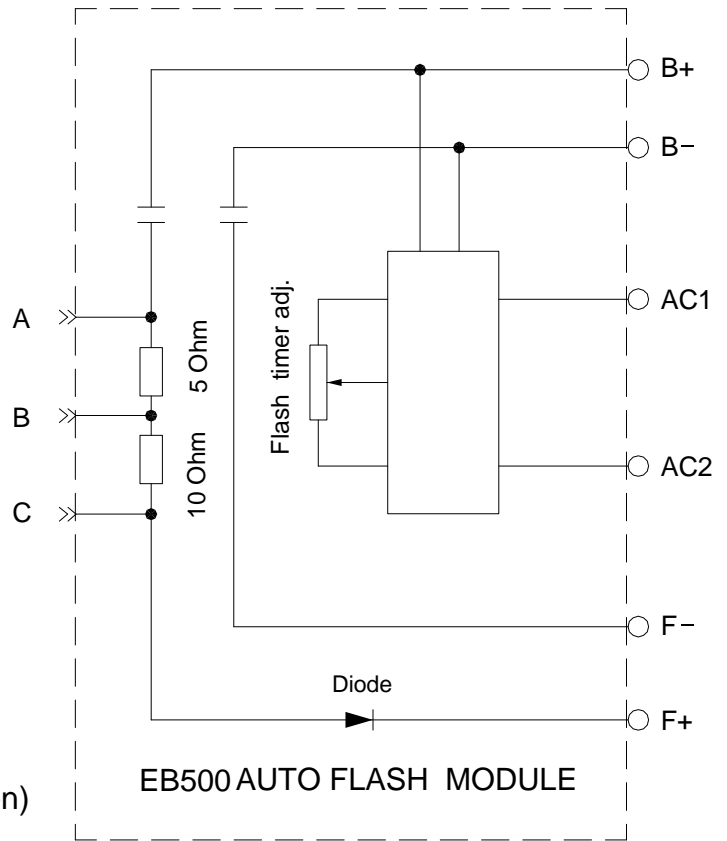


EB500 12 / 24V DC

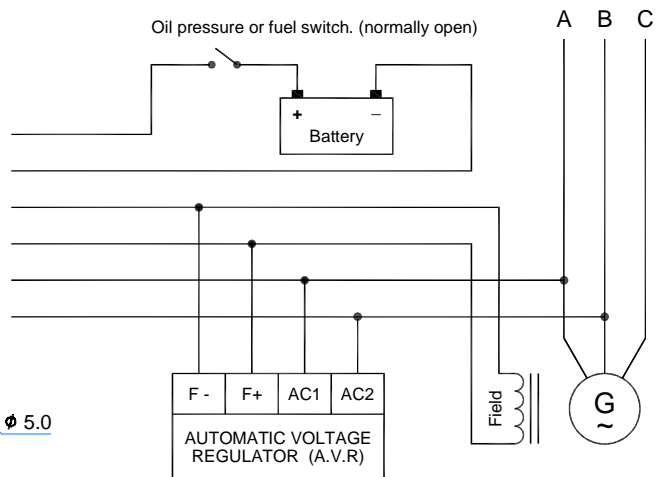
1 Shot Auto Flash Module
Generator Voltage Build Up Latching Relay



Input Voltage : DC 10 – 30 Vdc
 Sensing Voltage : AC 120 / 240 Vac
 Flashing Time : 1 – 8 sec. (Adjustable)
 Trigger Contact : Oil Pressure (Normally Open)
 Excitation Current : 12V 0.8 / 1.2 / 2.4A DC
 24V 1.6 / 2.4 / 4.8A DC
 Dimensions : 107.0 (L) x 75.0 (W) x 44.0 (H) mm
 Weight : 210 g +/- 2%



NOTE :
 ALL OPEN FOR 15 Ohm
 JUMP A-B FOR 10 Ohm
 JUMP B-C FOR 5 Ohm
 JUMP A-C FOR 0 Ohm
 Unit : mm



Flash Current Selection

A, B, C (Open)	12V = 0.8A	24V = 1.6A
A – B (Short)	12V = 1.2A	24V = 2.4A
B – C (Short)	12V = 2.4A	24V = 4.8A