

# PS-01

## Ceramic Capacitive Oil Pressure Sender

Exclusive accessory for GCU-3000 Genset Control Unit

### Features

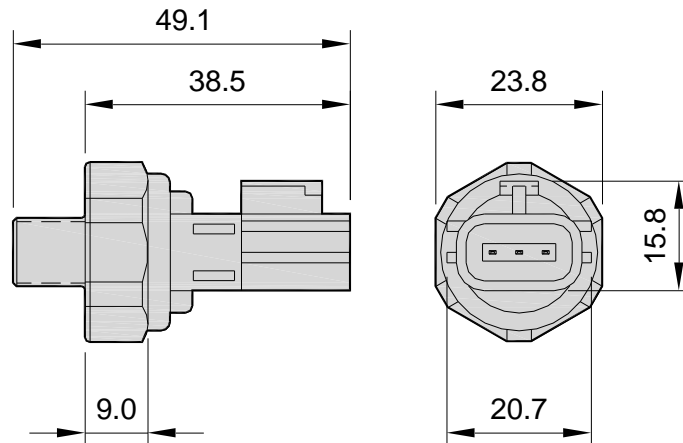
- Full scale accuracy +/-2.5% (0 – 120 Psi)
- Operating temperature range -40°C to 140°C
- EMI protection to 100 V/m
- Transmission distance Max. 30M
- Waterproof integral electrical connector
- Exceptional shake and vibration tolerance
- No adjustment needed, 100% compatibility if new sender replaced
- Ceramic capacitive pressure sender, excellent accuracy, more precise than the traditional resistance pressure sender
- Built in temperature compensatory, excellent stability, unaffected from external thermal interference
- Extremely stable linearity output, no need for adjustment after installation or maintenance



### Electrical Specifications

<b>Supply Voltage</b>	4.5 – 5.5 Vdc	<b>Operating Pressure</b>	0 – 120 Psi (0 – 8.0 Bar)
<b>Output Voltage</b>	0.5 – 4.5 Vdc	<b>Proof Pressure</b>	230 Psi (16.0 Bar)
<b>Supply Current</b>	10 mA at 5.5V	<b>Burst Pressure</b>	435 Psi (30.0 Bar)
<b>Output Current</b>	1.5 mA	<b>Thread</b>	1/8-27 NPTF-2A
<b>Output Ripple</b>	25 mV rms	<b>Ingress Protection</b>	IP65
<b>Accuracy</b>	+/-2.5% (0 – 120 Psi)	<b>Operating Temperature</b>	-40 to +140 °C
<b>Thermal Effect on Snap</b>	+/-0.002% / °C	<b>Weight</b>	34 g +/-2% 0.08 lb +/-2%

### Diagram & Dimensions



### Available cable lengths for PS-01

- HU-2500-OS** 2.5M Cable, sending oil pressure parameters to Kutai Genset Control Unit.
- HU-5000-OS** 5.0M Cable, sending oil pressure parameters to Kutai Genset Control Unit.

