

# PTM-15

## ***DC Power Supply Module for ATS Operation Manual***



**KUTAI ELECTRONICS INDUSTRY CO., LTD.**

TEL : +886-7-8121771

FAX : +886-7-8121775

Website : [www.kutai.com.tw](http://www.kutai.com.tw)

Headquarters : No.3, Ln. 201, Qianfu St., Qianzhen Dist., Kaohsiung City 806037, Taiwan

ISO 9001  
**ETC**

## SECTION 1 : INTRODUCTION

The PTM-15 DC Power Supply connects to the Utility and Standby AC power inputs of an Automatic Transfer Switch (ATS) and converts these voltages into a set of DC power outputs. The module provides

a stable operating power supply to the control circuit for the Kutai ATS-245-DC controller or the DC-type BTB-ATS, which require DC power. The module is for use in installation sites without DC power supply or where DC power supply is difficult to obtain.

## SECTION 2 : SPECIFICATION

### AC Power Input (L, N)

Voltage 190 – 305 Vac single-phase, 2-wire  
 Frequency 50/60 Hz  
 Fuse specification : 5 x 20mm S505-1A, slow blow  
 Recommended wire size : 1.25mm<sup>2</sup> (AWG16)

### Operating Environment

Operating Temperature -20 to +60 °C  
 Storage Temperature -40 to +85 °C  
 Relative Humidity Max. 95%  
 Vibration 5 Gs @ 60 Hz

### DC Power Output (D+, D-)

Voltage 15 Vdc +/- 1%  
 Current Max. 0.6 A  
 Recommended wire size : 1.25mm<sup>2</sup> (AWG16)

### Dimensions

135.0 (L) x 100.0 (W) x 42.0 (H) mm  
 5.31 (L) x 3.94 (W) x 1.65 (H) inch

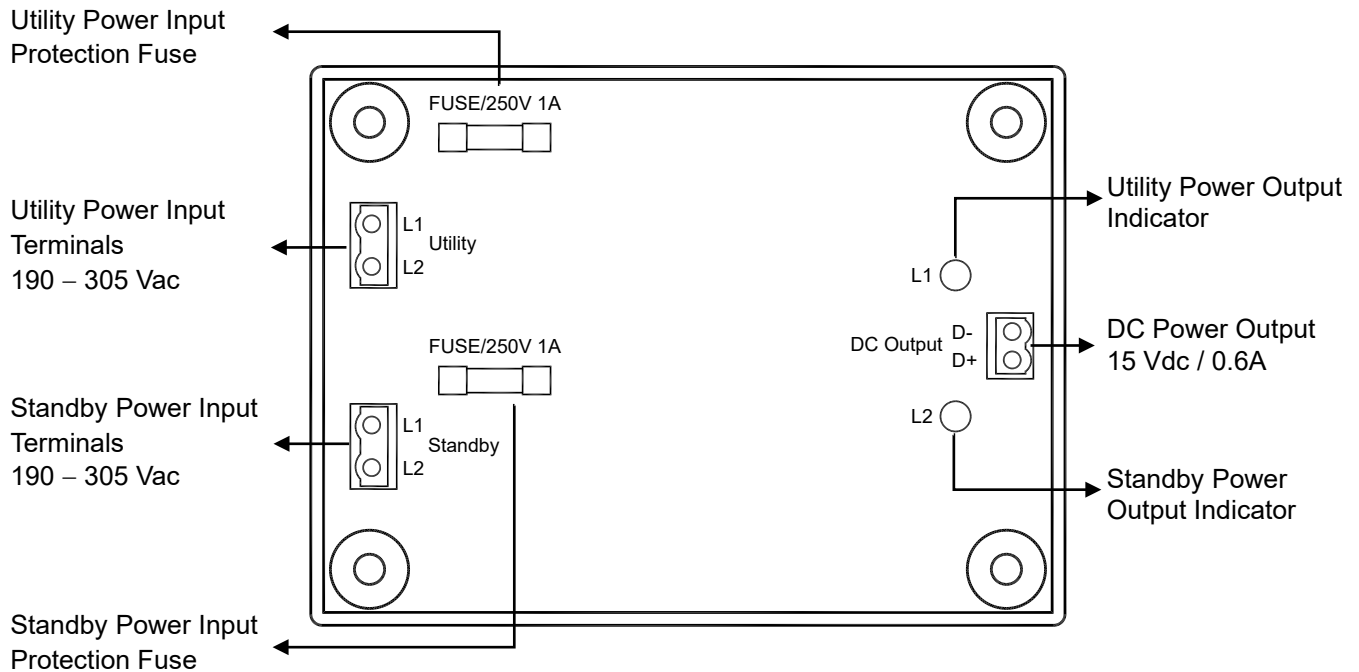
### Protection Functions

DC Output Short Circuit Protection  
 DC Output Over Voltage Protection

### Weight

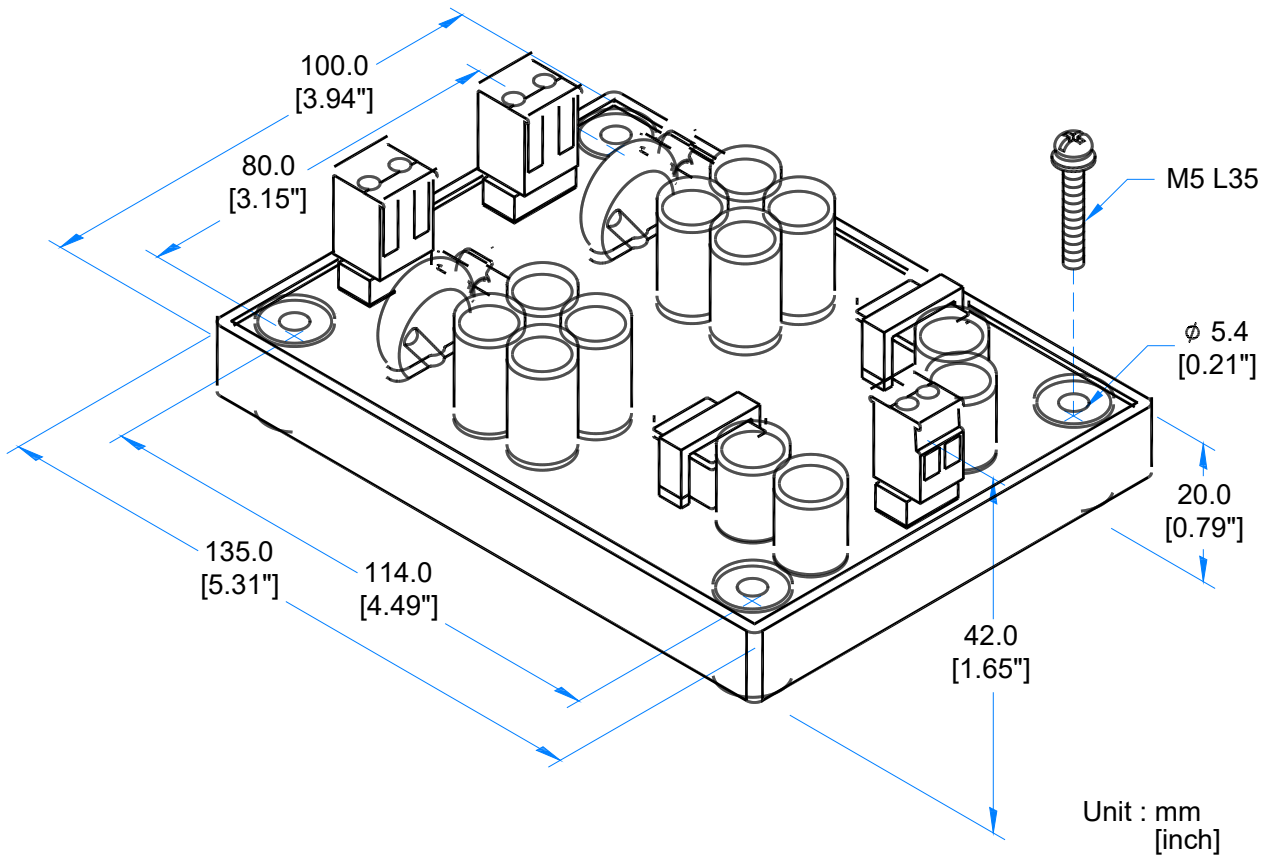
410 g +/- 2%  
 0.9 lb +/- 2%

## SECTION 3 : OVERVIEW OF PTM-15 EXTERNAL FEATURES



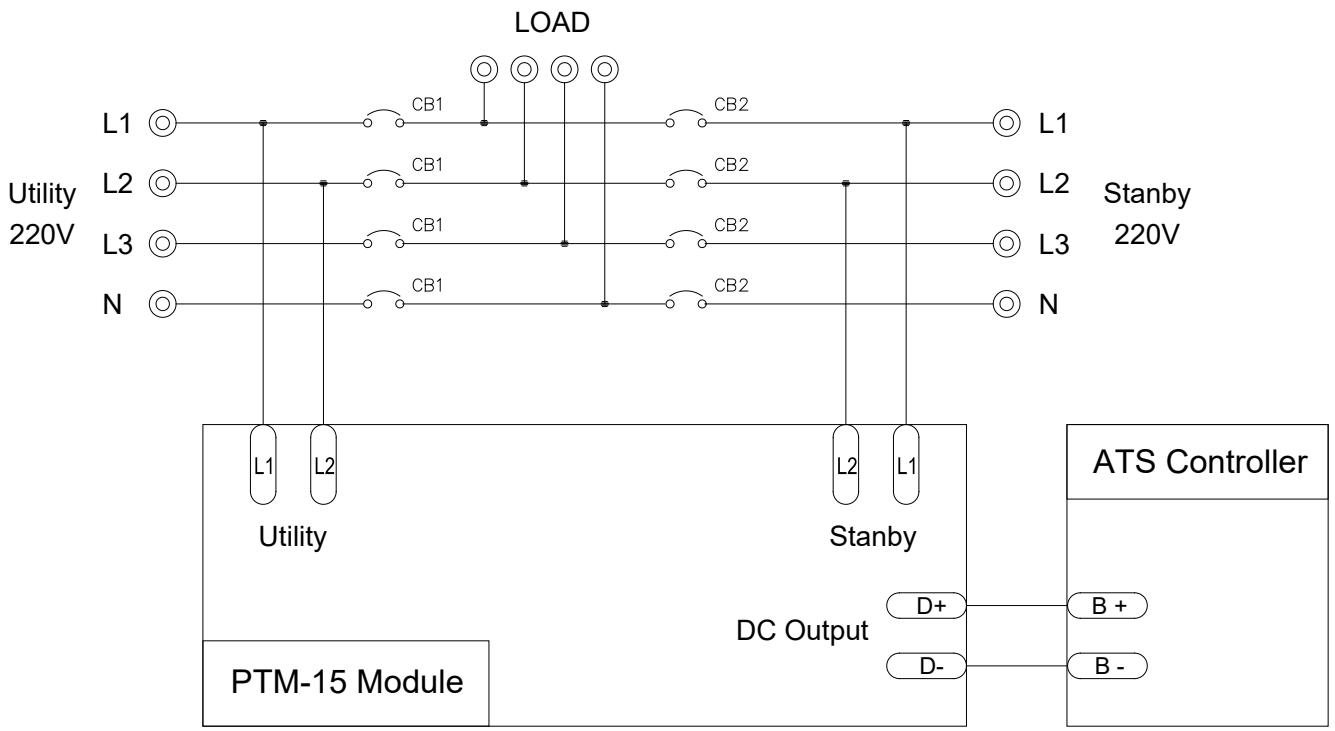
- ※ Use only replacement fuses specified in this user manual.
- ※ Appearance and specifications of products are subject to change for improvement without prior notice.

**SECTION 4 : APPEARANCE / DIMENSIONS / INSTALLATION DRAWING**



**SECTION 5 : RECOMMENDED WIRING DIAGRAM**

**5.1 AC220V System**



## 5.2 AC380 - 480V System

