

PTM-100 / PTM-400

ATS Transformer Module 208-480 Vac

With pluggable terminal block for simple ATS installation

Features

- For system voltage from 208 to 480 Vac
- Modular design, simplify ATS wiring for quick installation & maintenance
- Connect to ATS controller by pluggable terminal block
- Built-in slow blow ceramic tube fuse with touch free holder
- Autotransformer design with compact size



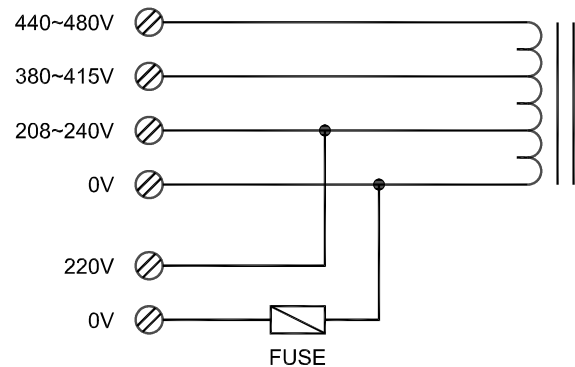
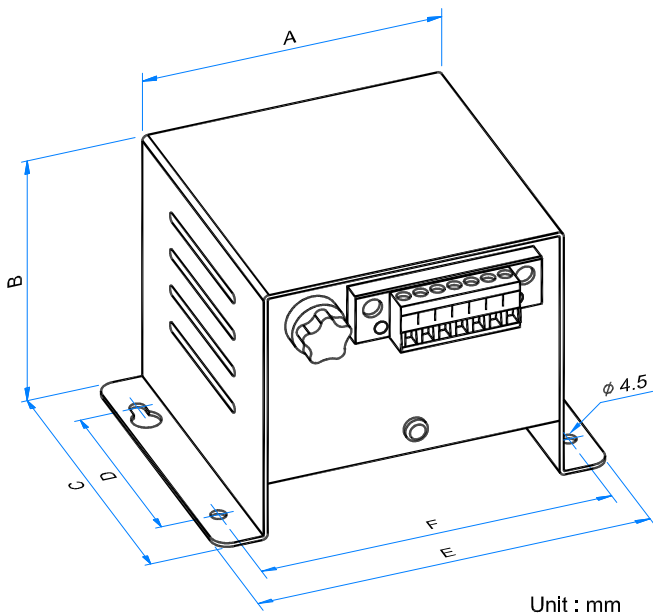
PTM-100 / PTM-400
www.kutai.com.tw

Specifications

Part	Rated Current	Capacity	Primary Voltage	Tolerance	Universal Voltages
Ceramic Tube Fuse	PTM-100 : 3.15A	1.5 KA @ 250 Vac	208-240 Vac	+/- 10%	200 , 220 , 240
	PTM-400 : 6.3A		380-415 Vac	+/- 10%	380 , 400 , 415
Terminal Block	18A	@ 600 Vac	440-480 Vac	+/- 10%	440 , 460 , 480
Part	Size	Length	Secondary Voltage	Tolerance	Capacity
Ground Terminal	M4	L10	220 Vac	+/- 10%	PTM-100 : 100 VA @ 50 / 60 Hz
					PTM-400 : 400 VA @ 50 / 60 Hz

Mechanical Specifications

Internal Wiring Diagram



	A	B	C	D	E	F	Dimensions	Weight
PTM-100	90	80	90	60	118	105	118.0 (L) x 90.0 (W) x 80.0 (H) mm	1.6 Kg +/- 2%
PTM-400	114.5	103	120	79.5	142	127	142.0 (L) x 120.0 (W) x 103.0 (H) mm	4.1 Kg +/- 2%



固也泰電子工業有限公司
KUTAI ELECTRONICS INDUSTRY CO., LTD.



TEL : +886-7-8121771 FAX : +886-7-8121775
Headquarters : No.3, Lane 201, Chien Fu St., Chyan Jenn Dist., Kaohsiung 80664, TAIWAN
Please link to <http://www.kutai.com.tw> for detailed manual.