

RA-20

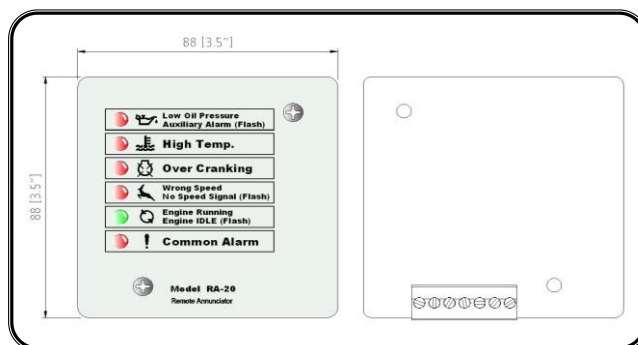
Engine Remote Annunciator Module



WARNING

Disconnect all electric power to the machine before installation.

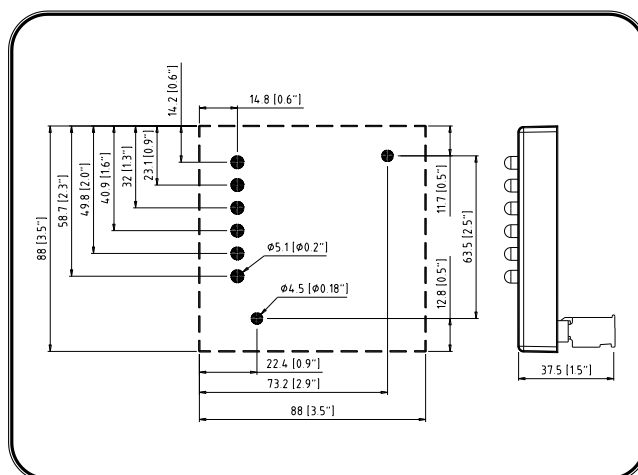
Physical Dimensions



Specification

ITEM	DESCRIPTION
Rated Input Voltage	9.0 to 36 VDC
Working Distance from Host ECU	<1500 Meters
Standard Cable	18 AWG
Power Consumption	Under 1W
Operating Temperature	-20 to +60 °C
Relative Humidity	< 95%
Weight	150 gram

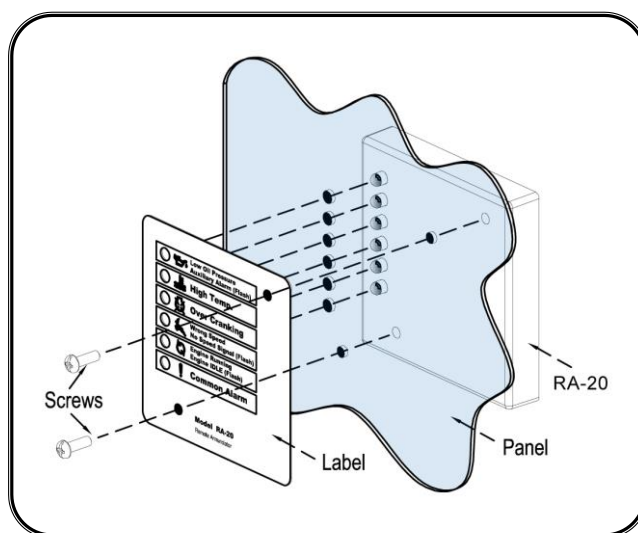
Mounting Pattern



Icon Reference Table

ICON	DESCRIPTION
	Low Oil Pressure Alarm Auxiliary Alarm (Flashing)
	High Coolant Temperature Alarm
	Over Crank Alarm
	Wrong speed Alarm No Speed Signal Alarm (Flashing)
	Engine Running Indicator Engine IDLE Indicator (Flashing)
	Common Alarm Indicator

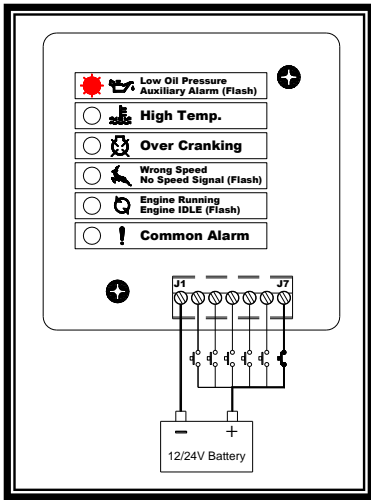
Installing Panel



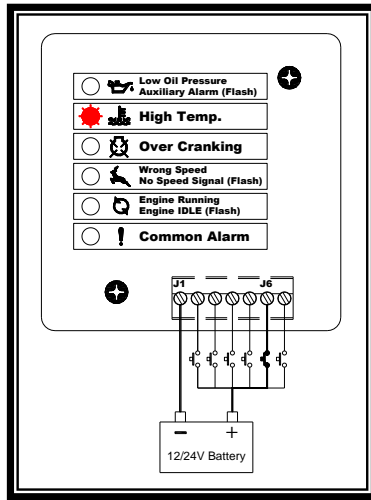
Terminals Detail

Pin NO.	CURRENT MAX.	DESCRIPTION
1	300mA	Annunciator common Input(V-)
2	50mA	Common Alarm Input(V+)
3	50mA	Engine Running / Idle Input(V+)
4	50mA	Wrong Speed / No Speed Signal Input (V+)
5	50mA	Over Crank Alarm Input(V+)
6	50mA	High Temperature Alarm Input(V+)
7	50mA	Low Oil Pressure / Auxiliary Alarm Input (V+)

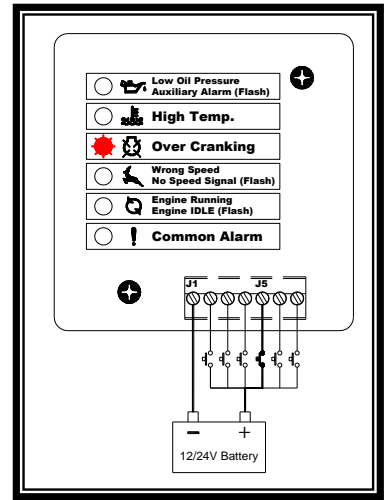
Low Oil Pressure Test



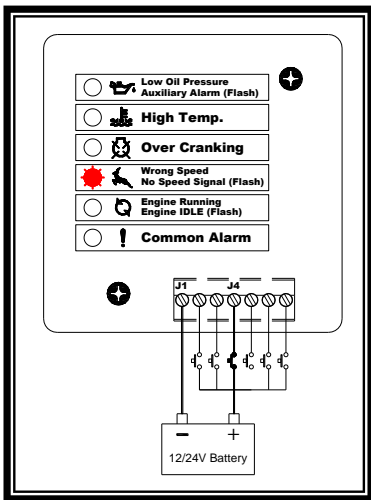
High Temperature Test



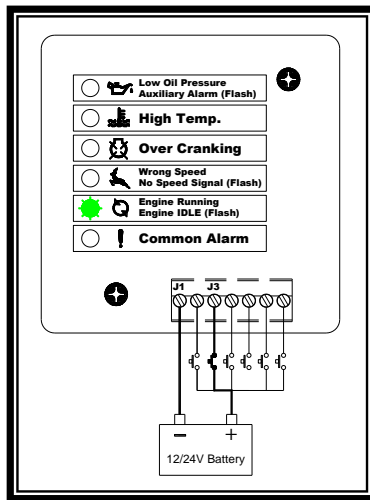
Over Crank Test



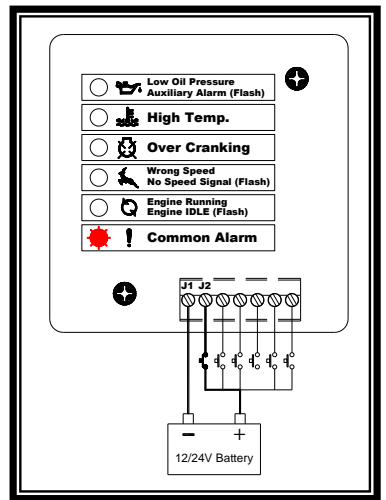
Wrong Speed Test



Engine Running Test



Common Alarm Test



RA-20 & GCU-20 Wiring Diagram

