

TSP-01

ATS Transformer Module 100 to 520 Vac

With Multi-Voltage Plug-in Connectors to Simplify ATS Set-up

Features

- Use in system voltage from 100 to 520 Vac *¹
- Simplify all ATS wiring
- Connect to BTS & ATS-245A by Plug-in connectors *²
- Select voltage directly by Plug-in connectors
- Save labor cost by easy assembly & maintenance
- Circuits are finger safe with high voltage fuses & UL94-V0 epoxy protection
- Built-in 3 phase fuses to protect normal & emergency circuits in ATS-245A & TSP-01
- Provide alarm signals & engine start dry contacts



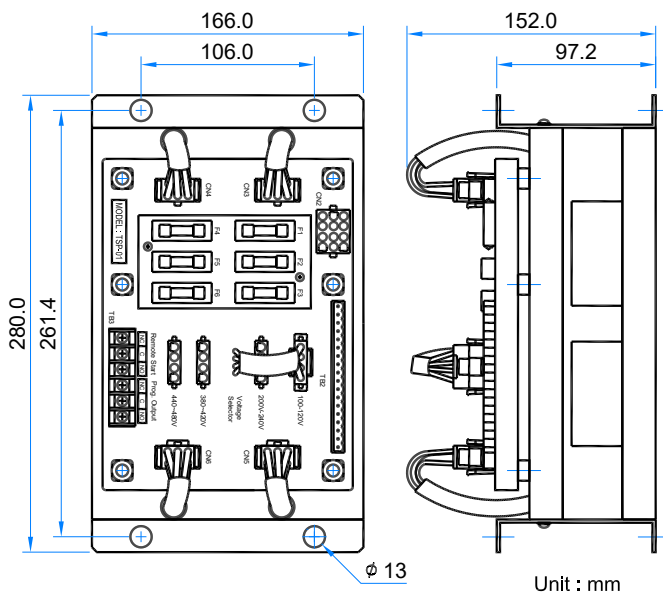
TSP-01
www.kutai.com.tw

Specifications

Fuse	Function	Current	Fuse Capacity	Plug-in Connectors	Range	Universal Voltages
F1	Protect Normal Power Circuit	6.3A	50 KA @ 500 Vac	100 to 120 Vac	+/-10%	100 , 110 , 120
F2	Protect Normal Power Circuit	6.3A	50 KA @ 500 Vac	200 to 240 Vac	+/-10%	200 , 220 , 240
F3	Protect Normal Power Circuit	6.3A	50 KA @ 500 Vac	380 to 420 Vac	+/-10%	380 , 401 , 415
F4	Protect Emergency Power Circuit	6.3A	50 KA @ 500 Vac	440 to 520 Vac	+/-10%	440 , 460 , 480
F5	Protect Emergency Power Circuit	6.3A	50 KA @ 500 Vac			
F6	Protect Emergency Power Circuit	6.3A	50 KA @ 500 Vac			

Connector	Function	Capacity	Connector	Function	Capacity
Remote Start	Remote Engine Start	250 Vac / 7A	CN2	Connect to BTS	600 Vac / 8A
Prog. Output	Programmable Alarm Signal Output	120 Vac / 0.5A	CN3,CN4,CN5,CN6	Connect Transformers	600 Vac / 8A
TB2	Connect to ATS-245A	300 Vac / 15A			

Dimensions



Physical Specifications

Dimension	280.0 (L) x 166.0 (W) x 152.0 (H) mm
Weight	5.5 Kg +/-2%

*¹ The rate capacity of TSP-01 is 300 VA.

*² BTS : Basic Transfer Switch

ATS-245A : Programmable Automatic Transfer Switch (ATS) Controller

*³ ACB type ATS used TSP-04 module only.



KUTAI ELECTRONICS INDUSTRY CO., LTD.

TEL : +886-7-8121771 FAX : +886-7-8121775 Website : www.kutai.com.tw

Headquarters : No.3, Ln. 201, Qianfu St., Qianzhen Dist., Kaohsiung City 80664, Taiwan

