

# VSS3P0800

## MCCB Type Voltage Selector Switch

Hi Y Connection Rated Current 400Amp

Low YY Connection Rated Current 800Amp

### Description

#### VSS (Voltage Selector Switch)

The Kutai VSS (Voltage Selector Switch) is unique and easy to operate. By rotating the handle, the operator can change any 12 lead generator from Hi Y-Y to Low Y-YY in a few seconds and at the same time positioning the correct breaker for optional voltage of 220V and 440V. This Voltage Selector Switch is ideal for generator rental markets.

**Patented:** U.S. Pat. No. 8,089,252 B2

TAIWAN Pat. No. M366752

CHINA Pat. No. ZL 2009 2 0145722. 0



**VSS3P0800**  
www.kutai.com.tw

### Features

- High short circuit breaking capacity
- With mechanical interlock
- Incorporate over current protection device (OCPD) design
- Position indicator switches incorporated
- Molded insulating manual handle
- Plug-in connector to simplify connection to external devices

### VSS Rated Operating Current & AC Rated Breaking Capacity

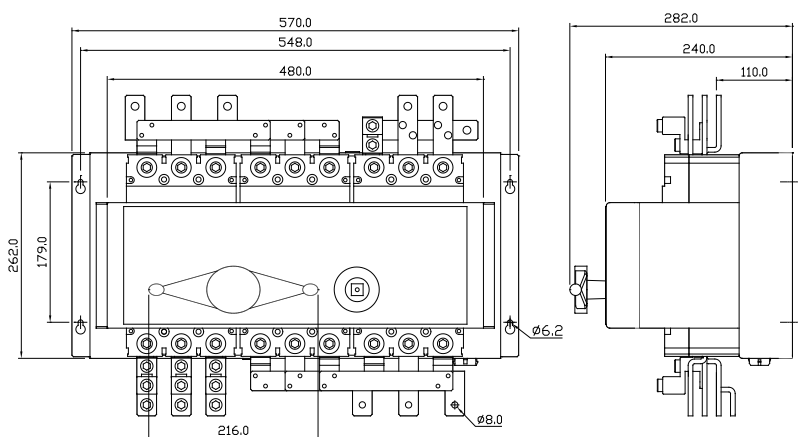
VSS Position	Poles	Rated Current (A) Ambient Temperature 40°C	AC Rated Breaking Capacity Sym r.m.s IEC 60947-2 Icu / Ics (KA)					
			240V	380V	415V	440V	500V	690V
Y	3P	400	30	25	25	25	15	--
YY	3P	800	30	25	25	25	15	--

### Physical Specifications

**Dimensions** 570.0 (L) x 262.0 (W) x 282.0 (H) mm

**Weight** 28.85 Kg +/-2%

### Dimensions



### Wiring Diagram

