

EA03A

Self Excited Automatic Voltage Regulator Designed For Denyo & Gasoline Generators

*All manufacturer names, numbers, symbols and descriptions are used for reference purpose only and do not imply that any part is the product of these manufacturer.

Features

- Voltage Regulation $\lt; \pm 2\%$
- For Use in 50/60 Hz Generators
- Adjustable Output Voltage ^{*1}
- Compatible with Many Different Models by Adapter Plug
- Economical Compact Design
- Single Phase Voltage Sensing

*1 The output voltage of the original AVR is not adjustable.



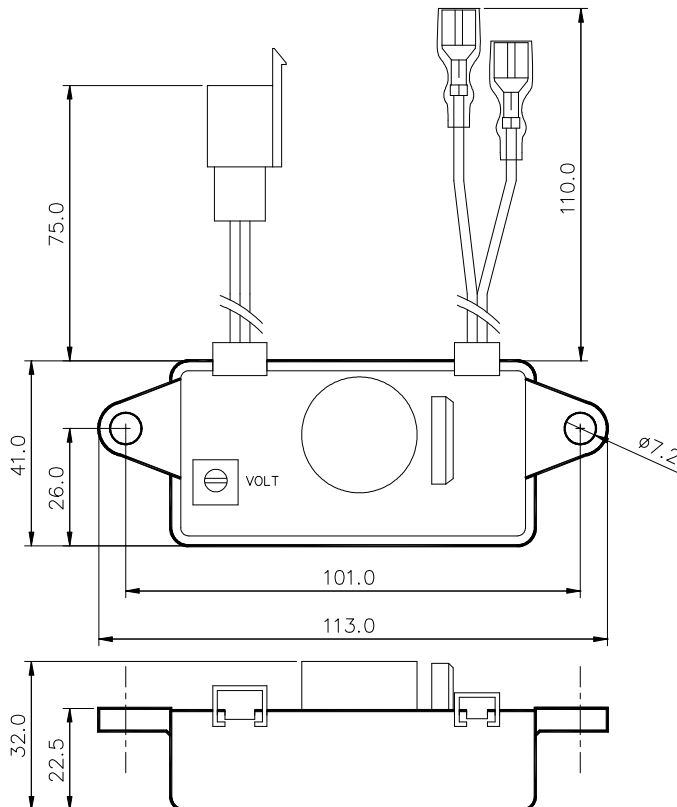
Specifications

Sensing Input	Voltage	18~22 VAC 1 phase 2 wire	Volts Regulation	$\lt; \pm 2\%$ (with 4% engine governing)
Power Input	Voltage	60~90 VAC 1 phase 2 wire	Voltage Build-up	Residual volts at AVR terminal > 5 VAC
Output	Voltage	5~85 VDC	Voltage Adjust Range	110 VAC $\pm 15\%$
	Current	Continuous 3A Intermittent 4A for 60 sec.	Thermal Drift	0.05% per $^{\circ}\text{C}$ change in AVR ambient
	Resistance	Min. 25 Ω		

Environment

Operation Temperature	-40~60 $^{\circ}\text{C}$	Relative Humidity	Maximum 90%
Storage Temperature	-40~85 $^{\circ}\text{C}$	Vibration	1.5G @ 5~30 Hz / 5.0G @ 30~500 Hz

Mechanical Specifications (Unit : mm)



Compatible Replacement for

Brand	Model
KUBOTA	Low Boy GL6500S
YAMAHA	EDL6500S
HONDA	EP-1800 , EP-2500
KAWASAKI	GE-1400 , GE-2200 , GA-2300 , GA-2900
SUZUKI	SV-1400L , SV-1400LD , SV-2200L , SV-2200LD
SAWAFUJI	SH-1800 , SH-2600
MARUYAMA	ME-1800 , ME-2600
ELEPAQ	PH-1800 , PH-2600

Physical Specifications

Dimensions	113.0 (L) x 41.0 (W) x 32.0 (H) mm
Weight	127 g $\pm 2\%$