

EA350

Self Excited Automatic Voltage Regulator

Compatible with Marathon[®] SE350 regulator and Basler[®] AVC63-4D

regulator

*All manufacturer names, numbers, symbols and descriptions are used for reference purpose only and do not imply that any part is the product of these manufacturer.

Features

- $< \pm 1\%$ Regulation
- Optional 120/240 VAC Sensing Input Switch^{*1}
- 50/60 Hz Selectable
- Under Frequency Protection
- Built-in High Breaking Capacity Fuse
- EMI Suppression

*1 SE350 and AVC 63-4D only fits 220 VAC generators, and do not have fuse protection.



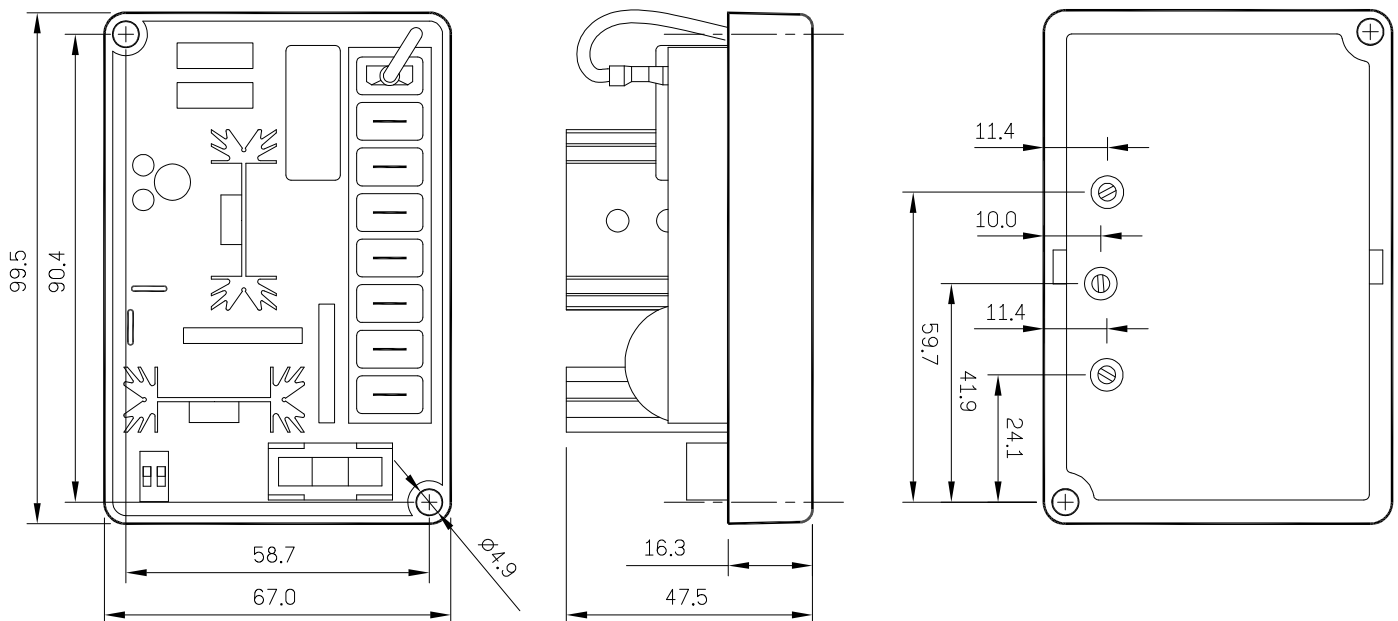
Specifications

Sensing & Power	Voltage 120 (90~132) / 240 (171~264) VAC	Voltage Build-up	Residual volts at AVR terminal > 3.5 VAC
Input	DIP switch selectable	External Voltage Adjustment	$\pm 5\%$ @ 1 K Ω 1 watt / $\pm 10\%$ @ 2 K Ω 1 watt
	Frequency 50/60 Hz selectable	Unit Power Dissipation	Max. 8 watt
Output	Voltage Max. 37 VDC @ 120 VAC input Max. 74 VDC @ 240 VAC input	EMI Suppression	Internal electromagnetic interference filtering
	Current Continuous 4A, Intermittent 7A for 10 sec.	Under Frequency Protection	60 Hz system presets knee point at 55 Hz
	Resistance Min. 15 Ω Max. 100 Ω	(Factory Setting)	50 Hz system presets knee point at 45 Hz
Volts Regulation	$< \pm 1\%$ (with 4% engine governing)	Dimensions	99.5 (L) x 67.0 (W) x 47.5 (H) mm
		Weight	185 g $\pm 2\%$

Environment

Operation Temperature	-40~60 $^{\circ}\text{C}$	Relative Humidity	Maximum 95%
Storage Temperature	-65~85 $^{\circ}\text{C}$	Vibration	1.3G @ 5~26 Hz / 5.0G @ 52~1000 Hz

Mechanical Specifications (Unit : mm)



AVR Control Function

VOLT	Voltage Adjustment	U/F^{*2}	To Set the U/F Knee Point
STAB	Stability Adjustment	*2	U/F : Under Frequency protection



固也泰電子工業有限公司
KUTAI ELECTRONICS INDUSTRY CO., LTD.



TEL: +886-7-8121771 FAX: +886-7-8121775

Head Office: No.3, Lane 201, Chien Fu St., Chyan Jenn Dist., Kaohsiung, TAIWAN
Please link to <http://www.kutai.com.tw> for detailed manual.