

# EA63-2.5S

## Self Excited Automatic Voltage Regulator Sensing 220 VAC / 400 VAC

\*Original Basler Model AVC63-2.5 cannot be used 120V Generators and do not have fuse protection.

\*All manufacturer names, numbers, symbols and descriptions are used for reference purpose only and do not imply that any part is the product of these manufacturer.

### Features

- Voltage Regulation  $< \pm 1\%$
- Economical Compact Design
- For Use In 50/60 Hz Brushless Generators
- EMI Suppression
- Under Frequency Protection
- 220 VAC / 400 VAC Optional
- Built-in High Breaking Capacity Fuse



**EA63-2.5S**  
www.kutai.com.tw

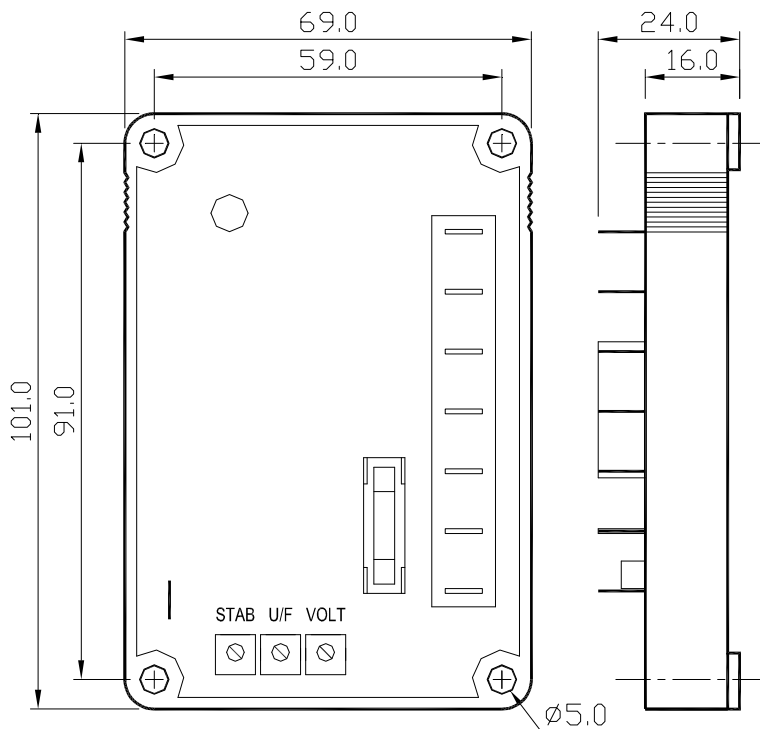
### Specifications

<b>Sensing</b>	Voltage	220 (165~260) / 400 (320~530) VAC	<b>Voltage Regulation</b>	$< \pm 1\%$ (within 4% engine governing)
		1 phase 2 wire	<b>Voltage Build-up</b>	Residual volts at AVR terminal $> 5$ VAC
<b>Power</b>	Voltage	120~260 VAC 1 phase 2 wire	<b>External Volts Adjustment</b>	$\pm 15\%$ with 5 K $\Omega$ 1 watt trimmer
	Frequency	45~65 Hz	<b>Unit Power Dissipation</b>	Max. 10 watt
<b>Output</b>	Voltage	Max. 50 VDC @ 120 VAC input	<b>EMI Suppression</b>	Internal electromagnetic interference filtering
		Max. 63 VDC @ 220 VAC input	<b>Thermal Drift</b>	0.05% per $^{\circ}\text{C}$ change in AVR ambient
	Current	Continuous 2.5A, Intermittent 4A for 60 sec.	<b>Under Frequency Protection</b>	Knee point adjustable range 45~55 Hz
	Resistance	Min. 25 $\Omega$		

### Environment

<b>Operation Temperature</b>	-40~60 $^{\circ}\text{C}$	<b>Relative Humidity</b>	Maximum 95%
<b>Storage Temperature</b>	-40~85 $^{\circ}\text{C}$	<b>Vibration</b>	1.5G @ 5~30 Hz / 5.0G @ 30~500 Hz

### Mechanical Specifications (Unit : mm)



### AVR Control Function

<b>VOLT</b>	Voltage Adjustment
<b>STAB</b>	Stability Adjustment
<b>U/F*1</b>	To Set the U/F Knee Point

\*1 U/F : Under Frequency Protection

### Physical Specification

<b>Dimensions</b>	101.0 (L) x 69.0 (W) x 24.0 (H) mm
<b>Weight</b>	107 g $\pm 2\%$
<b>Shock</b>	Withstands up to 20G in each X, Y, Z axes



固也泰電子工業有限公司  
KUTAI ELECTRONICS INDUSTRY CO., LTD.



TEL: +886-7-8121771 FAX: +886-7-8121775

Head Office: No.3, Lane 201, Chien Fu St., Chyan Jenn Dist., Kaohsiung, TAIWAN  
Please link to <http://www.kutai.com.tw> for detailed manual.