

# EB500

## 1 Shot Auto Flash Module Generator Voltage Build Up Latching Relay

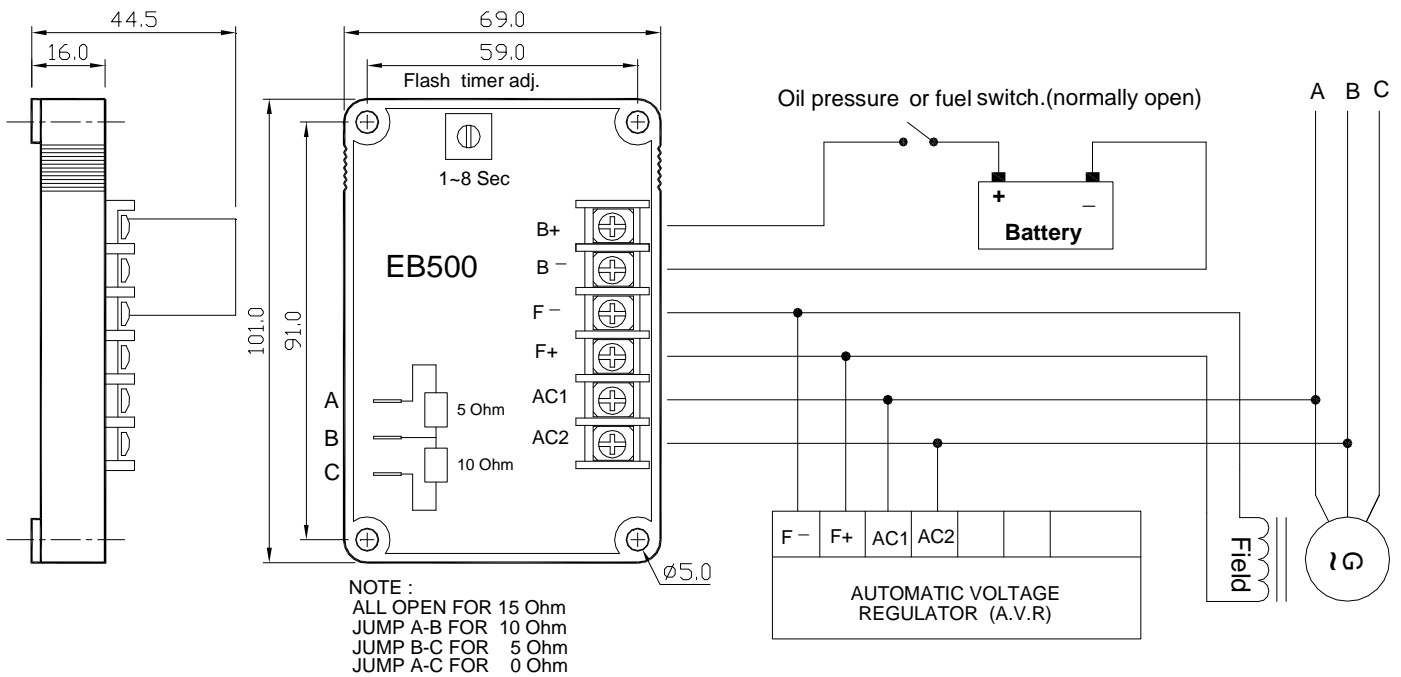
\*All manufacturer names, numbers, symbols and descriptions are used for reference purpose only and do not imply that any part is the product of these manufacturer.

### Specifications

<b>Input Voltage</b>	DC 10~30 VDC
<b>Sensing Voltage</b>	AC 120/240 VAC
<b>Flash Time</b>	1~8 sec. (Adjustable)
<b>Trigger Contact</b>	Oil pressure or fuel sensor
<b>Resistance</b>	0, 5, 10, 15 $\Omega$ select by jumper
<b>Protection</b>	Reverse current protection



### Mechanical Specifications & Wiring Diagram (Unit : mm)



### Physical Specification

**Dimensions** 101.0 (L) x 69.0 (W) x 44.5 (H) mm

**Weight** 210 g  $\pm$ 2%