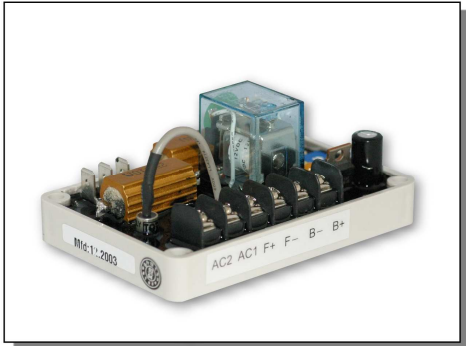


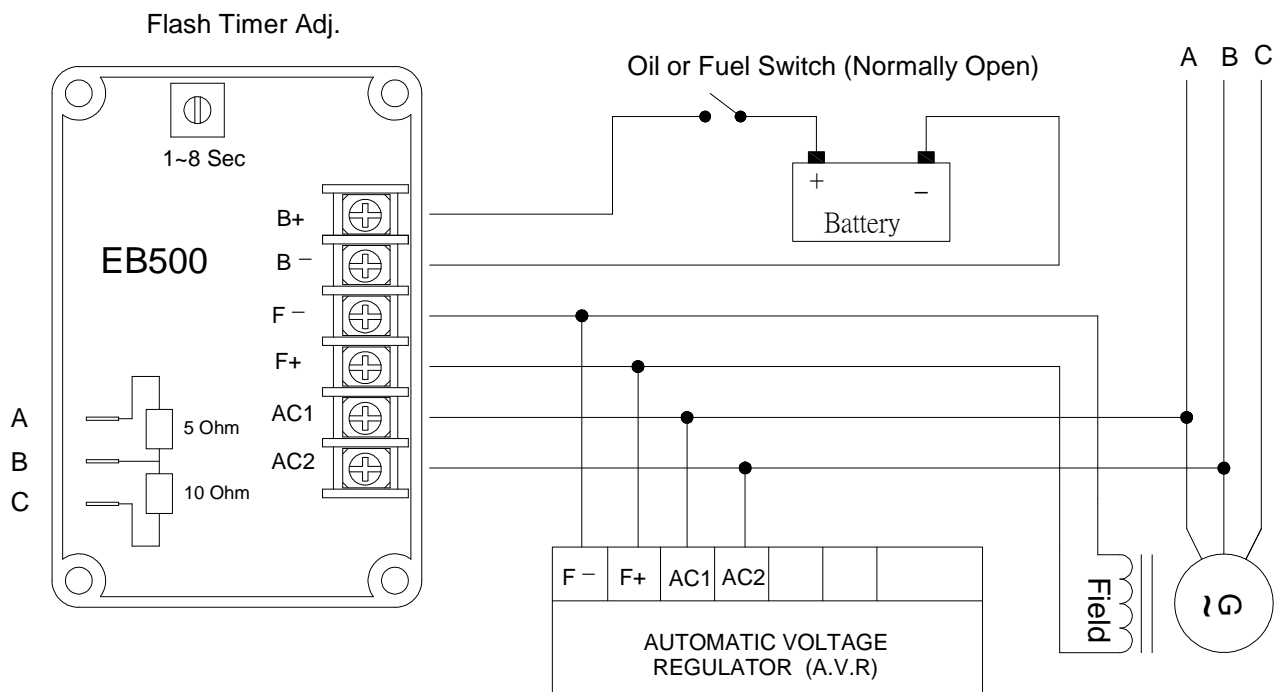
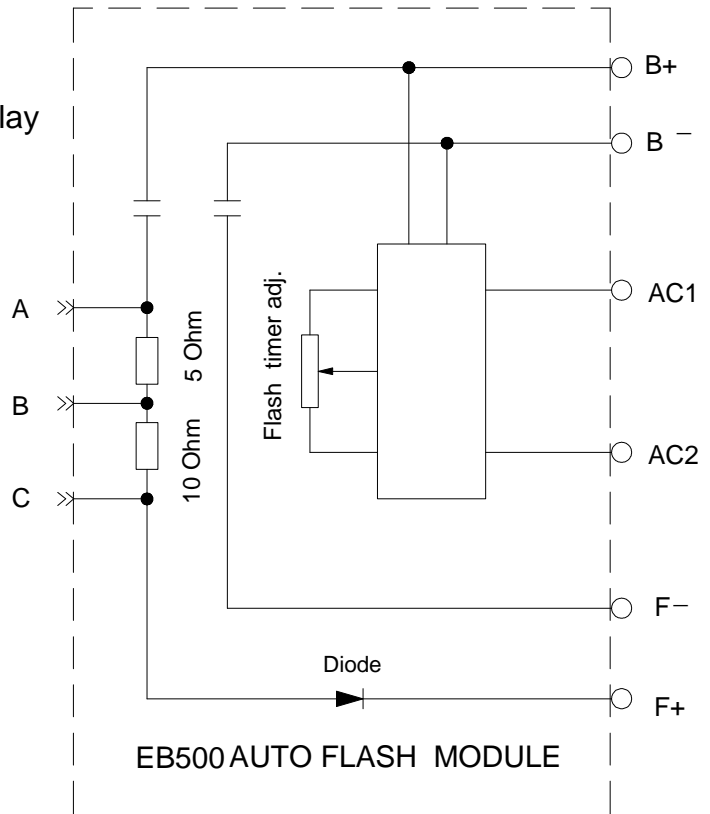
# EB500 12 / 24V DC

1 Shot Auto Flash Module  
Generator Voltage Build Up Latching Relay



**Input Voltage :** DC 10 ~ 30VDC  
**Sensing Voltage :** AC 120 / 240V  
**Flashing Time :** 1 ~ 8 sec. (adjustable)  
**Trigger Contact :** Oil Pressure  
 (Normally Open)

**Excitation Current :** 12V 0.8 / 1.2 / 2.4A DC  
 24V 1.6 / 2.4 / 4.8A DC



### Flash Current Selection

A \ B \ C (Open)	12V = 0.8A	24V = 1.6A
A ~ B (Short)	12V = 1.2A	24V = 2.4A
B ~ C (Short)	12V = 2.4A	24V = 4.8A