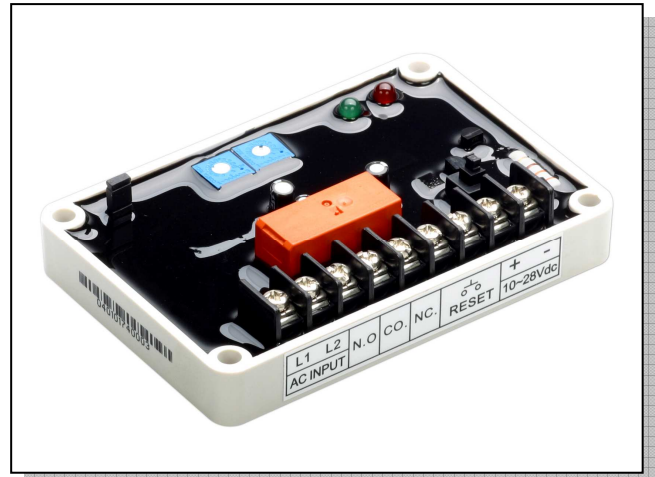


EV-01 Over Voltage Monitor

It is specifically made to guard generators from potentially destructive high voltages from malfunctioning voltage regulators. This encapsulated solid state device is built-strong so it can protect itself from the violent vibrations and humidity present inside working generators; but it will be ready to perform when necessary.

Set-up is simple using two LEDs indicators (supply voltage & over-voltage) and two adjustments (sensing voltage & time delay.)

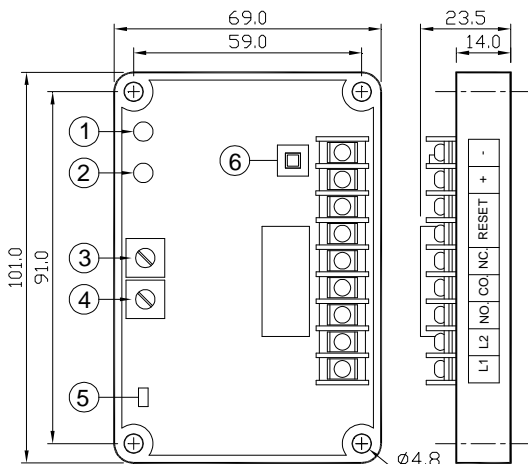
If EV-01 is activated, simply reset by shorting the two reset terminals or pulsing onboard push button.



1. SPECIFICATIONS

- Working Power : 10 ~ 28VDC 0.3A max
- Sensing voltage : 210~290 / 400~560VAC
0.5VA 40~500Hz
- Delay time : 1~10 Sec
- Contact Rating : 10A/250VAC At PF = 1 NO or NC
- Operating Temperature : -40 ~ +65
- Humidity : 10% ~ 95% non-condensing

2. DIMENSION / OUTLINE DRAWING



1. Over voltage indicator LED
2. Power LED
3. Delay time set
4. Voltage setting adjustment
5. Jumper from high to low voltage sensing
6. Onboard reset button

3. TERMINALS

- L1, L2 : sensing input
210 ~ 290VAC jumper removed
400 ~ 480VAC jumper connected
- Output Contact: Normal Open (NO) Common (CO) Normal Closed (NC) 10A@250VAC
- RESET : Remote Reset (Dry Contact) 100 mA @28VDC
- + , - : Power Input 10 ~ 28VDC

4. SETTINGS

- Connect battery supply and sensing L1 & L2 as diagram. The green LED should illuminate since no over-voltage is present.
- Turn time delay pot to lowest position (fully counterclockwise).
- And turn the voltage setting pot to highest position (fully clockwise).
- Select jumper ON/OFF depend on the range of sensing voltage and Switch on AC power.
- Turn voltage setting pot counterclockwise slowly till the red LED is illuminated. The relay is energized and latched until either the RESET button is pressed or reset terminals are shorted momentary.
- Turn the time delay pot to position from 2 to 10 seconds.

CAUTION

Meggars and high-potential test equipment must not be used. Use of such equipment could damage the Semiconductors contained in the controller.

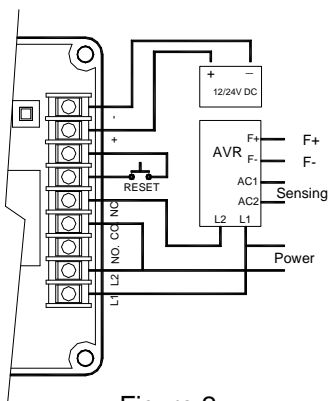


Figure 2

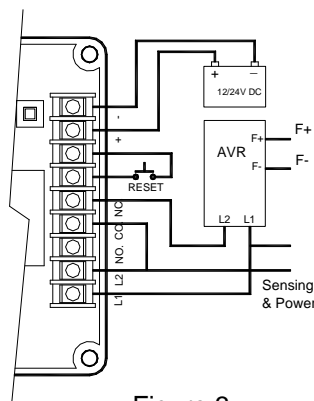


Figure 3

Application disconnect voltage regulator from generator sensing and stops generator voltage output.



固也泰電子工業有限公司
KUTAI ELECTRONICS INDUSTRY CO., LTD.



[http:// www.kutai.com.tw](http://www.kutai.com.tw)