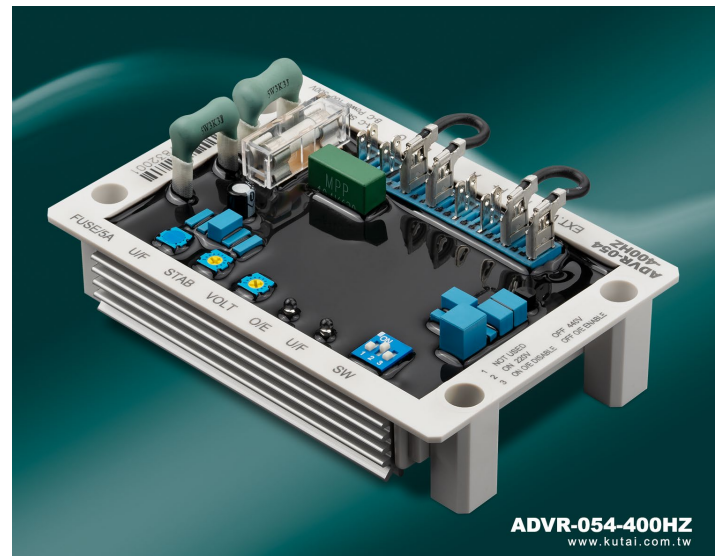


ADVR-054-400HZ

Universal 400Hz Intermediate Frequency
5 Amp Half Wave Self Excited
Generator Automatic Voltage Regulator
For Aviation and Military Spec 400Hz Generators
Replacement AVR for Intermediate Frequency 400Hz Generators

Features

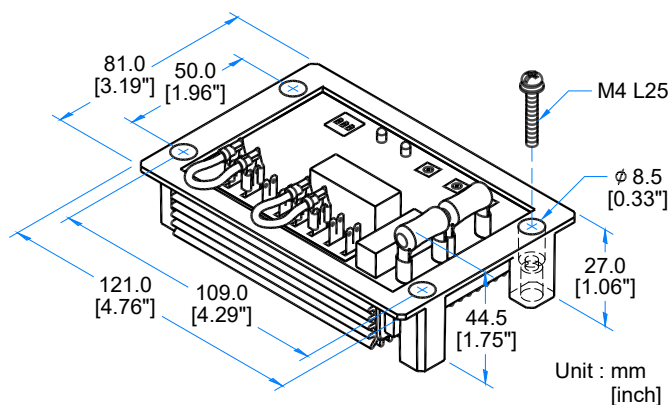
- Compact size, robust and high reliability
- Innovative heat sink significantly increases cooling efficiency
- 220 / 380 / 440 / 480 Vac selectable input
- Soft start voltage ramping
- Over excitation protection
- EMI suppression
- Automatic shut off output when voltage sensing is lost
- Built-in high capacity fuse
- For Parallel Operation add Kutai [EP200](#) Paralleling Module
- Digital circuit for voltage sensing and under frequency protection
- Effectively minimize the output voltage variations and under frequency knee point drifted affected by temperature changes



Specifications

Sensing Input	Voltage 170 to 260 Vac @ 220 Vac 1 phase 2 wire	Build Up Voltage	5Vac 25Hz residual volts at power input terminal
(Average Reading)	Voltage 340 to 520 Vac @ 440 Vac 1 phase 2 wire 220/440 Vac (DIP switch selectable)	EMI Suppression	Internal electromagnetic interference filtering
	Frequency 320 to 420 Hz	Static Power Dissipation	Max. 8 watts
Power Input	Voltage 100 to 300 Vac 1 phase 2 wire Frequency 250 to 420 Hz	Under Frequency Protection (Factory Presets)	400 Hz @ 360 Hz (adjustable)
Excitation Output	220 Vac 1 phase Continuous 63 Vdc 5A Max. 90 Vdc 7A for 10 seconds	Over Excitation Voltage Protection	When excitation output is greater than 40% of the Power Input, O/E protection will activate and shutdown excitation output after 5 seconds This function can be turned off
	Resistance Min. 15 ohms Max. 100 ohms	Voltage Thermal Drift	Less than 3% at -40 to +70 °C
External Volts Adjustment	Max +/-3.5% @ 1K ohm 1 watt potentiometer	Under Frequency Knee Point Thermal Drift	Less than +/-0.1 Hz at -40 to +70 °C
Voltage Regulation	Less than +/-0.5% (with 4% engine governing)		
Soft Start Ramp Time	3 seconds +/-10%		

Dimensions



Environment

Operating Temp	-40 to +60 °C
Storage Temp	-40 to +85 °C
Relative Humidity	Max. 95%
Vibration	5.0 Gs @ 60 Hz

Physical Specifications

Dimensions	121.0 (L) x 81.0 (W) x 44.5 (H) mm 4.76" (L) x 3.19" (W) x 1.75" (H) inch
Weight	270 g +/-2% 0.6 lb +/-2%

Accessories

EB500	Automatic Flashing Unit for Generator
EB-9V	Battery-powered Automatic Flashing Module
EP200	Reactive Factor Compose Module (Droop Module)

