

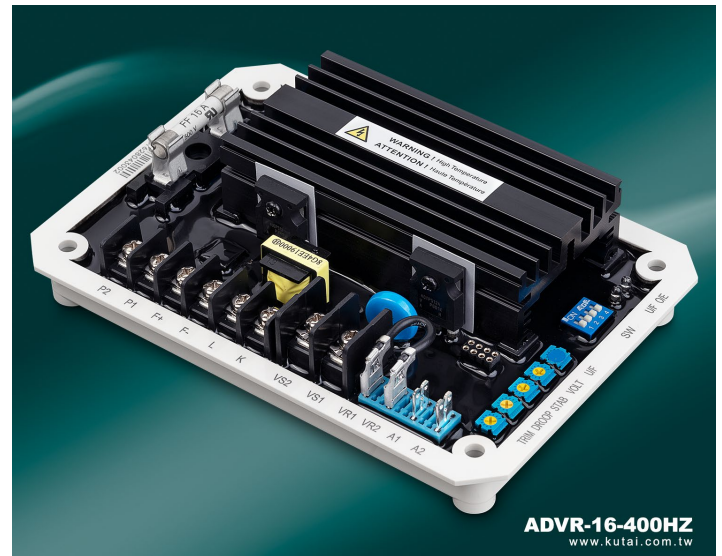
ADVR-16-400HZ

Universal 400Hz Intermediate Frequency
16 Amp Half Wave Self Excited
Generator Automatic Voltage Regulator
For Aviation and Military Spec 400Hz Generators
Parallel Operation Capable

Replacement AVR for Intermediate Frequency 400Hz Generators

Features

- Voltage regulation less than +/-0.5%
- Suitable for brushless type generator sensing input 170 to 510 Vac
- Can be used in parallel operation
- 16 Adc current output
- Suitable frequency 400 Hz
- Inverse-time over excitation protection
- O/E over excitation protection
- Under frequency protection & soft start voltage ramping
- Load CT current compensation, analog voltage input
- Digital circuit for voltage sensing and under frequency protection
- Effectively minimize the output voltage variations and under frequency knee point drifted affected by temperature changes

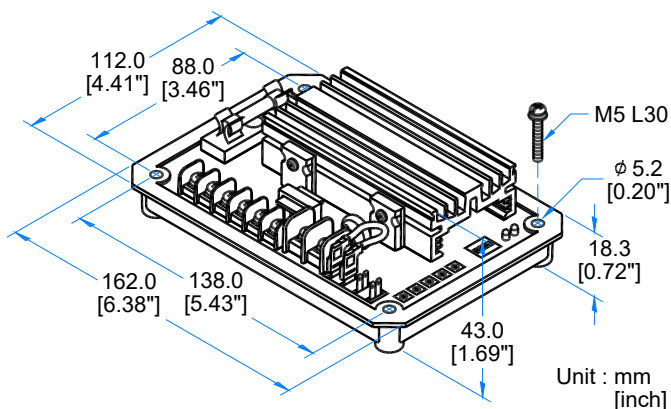


ADVR-16-400HZ
www.kutai.com.tw

Specifications

Sensing Input	Voltage 170 to 510 Vac 1 phase 2 wire DIP switch selectable Frequency 320 to 420 Hz	Build Up Voltage	5Vac residual volts at power input terminal
Power Input	Voltage 60 to 300 Vac 1 phase 2 wire Frequency 250 to 420 Hz	Static Power Dissipation	Max. 10 watts
Excitation Output	240V 1 phase Continuous 63 Vdc 16A Max. 90 Vdc 20A for 10 seconds Resistance Min. 5 ohms	CT Current Compensation Input	1A or 5A (adjustable)
External Voltage Adjustment	Max. +/- 10% @ 1K ohms 1 watt potentiometer	Analogue Voltage Input	Max. +/-5 Vdc +/-10% @ +/-3 Vdc
Voltage Regulation	Less than +/-0.5% (with 4% engine governing)	Voltage Thermal Drift	Less than 3% at -40 to +70 °C
		Under Frequency Protection	400 Hz @ 360 Hz (adjustable)
		Over Excitation Protection	When excitation output > 40% Power Input, excitation output will shutdown after 5 sec.

Dimensions



AVR Control Functions

VOLT	Voltage adjustment
STAB	Stability adjustment
U/F	Setting under frequency protection knee point
DROOP	Drop adjustment
TRIM	Analogue input adjustment

Environment

Operating Temperature	-40 to +70 °C
Storage Temperature	-40 to +85 °C
Relative Humidity	Max. 95%
Vibration	5.5 Gs @ 60 Hz

Physical Specifications

Dimensions	162.0 (L) x 112.0 (W) x 43.0 (H) mm 6.38 (L) x 4.41 (W) x 1.69 (H) inch
Weight	510 g +/-2% 1.125 lb +/- 2%

