

# ATS3PC0125-11

# ATS3PC0125-22

## Double Throw Type ATS

Rated Current 125Amp      Rated Voltage 250Vac

### Features

- Modular design for installation next to switch or on the door
- Electrically or manually operated, mechanically held contacts
- Adjustable time delay in neutral position
- Compact size with user-friendly status LED display
- Monitor Normal & Standby source OV and UV
- Built-in 1 to 4 weeks with / without load exerciser
- Made with UL 94V-0 plastic
- Build-in neutral lug module
- Designed for telecom industry or home ATS applications



**ATS3PC0125-11**  
**ATS3PC0125-22**  
www.kutai.com.tw

\*Link to [ATS3PC0125-2](#). Standard model with opening on door panel fitted with TC-V2 digital controller.

### TS3P125 Switch Specifications

<b>Rated Voltage</b>	250 Vac
<b>Rated Current</b>	125 Amp
<b>Rated Frequency</b>	50/60 Hz
<b>Switch Type</b>	Double throw with Neutral position
<b>Operating Current</b>	3.0A @ 220V 6.0A @ 110V
<b>Poles</b>	3 Poles
<b>Rated Short-Time Current</b>	3.0 KA / 1 second @ 250 Vac
<b>Short Circuit Peak Value</b>	7.5 KA
<b>Utilization Category</b>	AC-33A*
<b>Operation Life</b>	Over 6000 times / with load
<b>Rated Operating Voltage</b>	TCS3P125-11 90 to 140 Vac TCS3P125-22 180 to 270 Vac

**ATS Class** PC

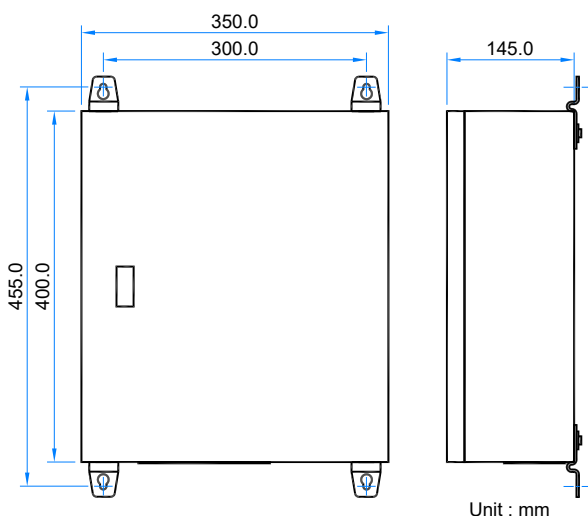
\*IEC60947-6-1 Utilization Category AC-33A:

- Frequent operations.
- Motor loads or mixed loads including motors, resistive loads and up to 30% incandescent lamp.

### TC-V2 Digital Controller Specifications

<b>Over Volt Setting</b>	110 to 280 Vac (adjustable)
<b>Over Volt Reset</b>	Below 10 Vac of the OV setting
<b>Under Volt Setting</b>	80 to 230 Vac (adjustable)
<b>Under Volt Reset</b>	Exceed 10 Vac of the UV setting
<b>Adjustable Time Delay</b>	TDEN 0 to 99 seconds TDNE 0 to 99 seconds TDEC 0 to 99 seconds TDES 0 to 30 seconds TDOFF 1 to 20 seconds
<b>Normal ON Capacity</b>	7A @ 250 Vac Max.
<b>Standby ON Capacity</b>	7A @ 250 Vac Max.
<b>Remote Start Capacity</b>	6A @ 277 Vac 6A @ 28 Vdc Max.
<b>Power Consumption</b>	Less than 1W

### Dimensions



### Environment

<b>Operating Temperature</b>	-20 to +60 °C
<b>Storage Temperature</b>	-20 to +80 °C
<b>Relative Humidity</b>	Max. 95%

### Physical Specifications

<b>Dimensions</b>	455.0 (H) x 350.0 (W) x 145.0 (D) mm
<b>Weight</b>	9.2 Kg +/-2%

