

KCU-01

USB Module



固也泰電子工業有限公司
KUTAI ELECTRONICS INDUSTRY CO., LTD.



Headquarters : No.3, Ln. 201, Qianfu St., Qianzhen Dist., Kaohsiung City 80664, Taiwan

Tel : + 886-7-8121771

Fax : + 886-7-8121775

URL : <http://www.kutai.com.tw>

SECTION 1 : INTRODUCTION

The KCU-01 is the USB module that is designed to enable the Kutai Electronics genset controllers (AMF-10, GCU-100, GCU-3000) to be operated and monitored remotely.

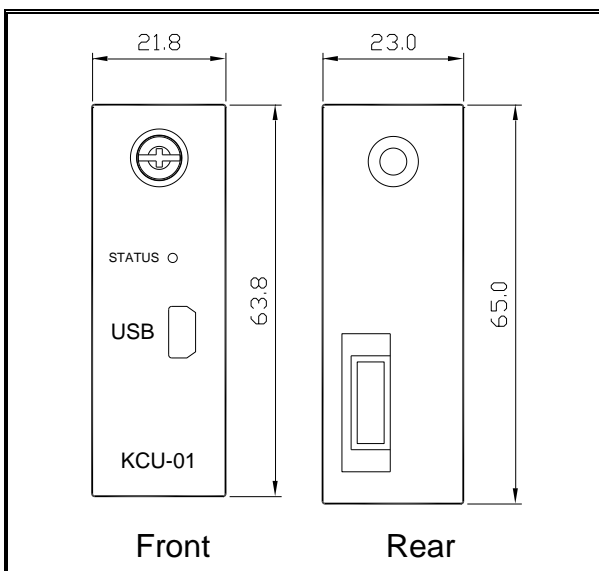
Via the designated operation software (Please reference from KCU-01 software user manual) user can program and change parameters remotely instead of accessing program through the controller in person.

In the remote operation, when Connecting KCU-01 via two-wire telephone line, an additional USB modem is required to connect to the KCU-01 USB port. The remote operating PC will also need to be equipped with modem / USB modem

MAIN CHARACTERISTICS :

- The KCU-01 software interface is user friendly which makes it easy for user to monitor and change program setting remotely.
- When operating on site (Local operation mode), user can connect the KCU-01 USB port to the PC via USB harness or connect to an USB modem for remote operation
- When operating KCU-01 in remote operation mode, if no data is transmitted within 40 seconds after connection then the module will automatically disconnect.
- Supports Logo Image downloads for ATS-PLC when installed the "Image Transfer" software.

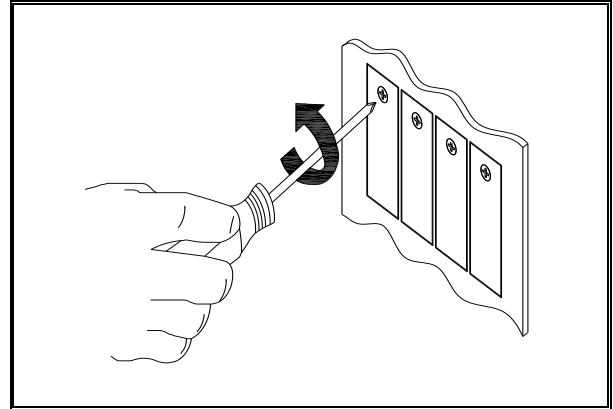
SECTION 2 : DIMENSION



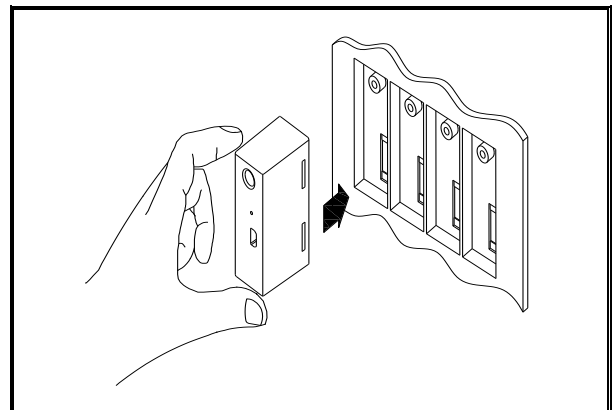
SECTION 3 : INSTALLATION

Disconnect controller power source and follow the below illustrations to complete the installation of KCU-01.

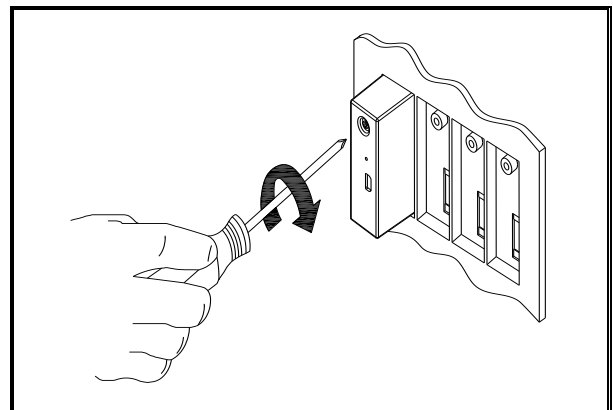
Step 1 : Remove slot cover from the back of controller.



Step 2 : Insert KCU-01 into the designated slot.



Step 3 : Tighten the screw.



Step 4 : Start up the controller and operate through the controller front panel and enter system setting to program corresponding startup settings (Remote operation activation).

The KCU-01 currently supports AMF-10, GCU-100, GCU-3000, ATS-22, ATS-33, ATS-34 and ATS-PLC etc. controllers. The followings are the basic description of operation settings. For more detail information, please reference from the controller's operation manual.

AMF-10 & GCU-100	
ITEM	DESCRIPTION
54	Allows remote operation

GCU-3000	
ITEM	DESCRIPTION
69	Allows remote operation

ATS-22	
ITEM	DESCRIPTION
33	Allows remote operation

ATS-33	
ITEM	DESCRIPTION
24	Allows remote operation

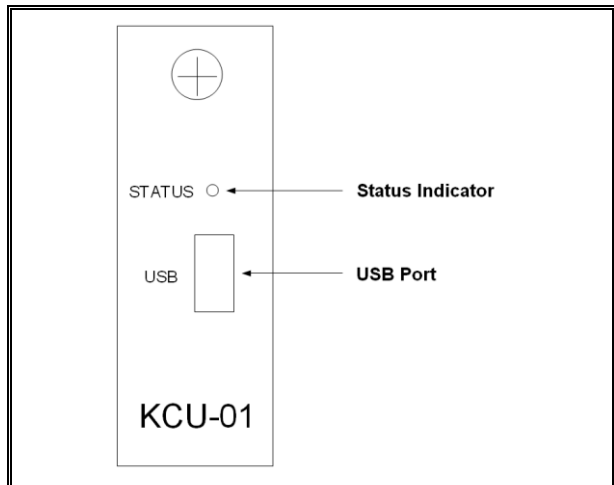
ATS-34	
ITEM	DESCRIPTION
22	Allows remote operation

ATS-PLC	
ITEM	DESCRIPTION
Communication Setting	ON / OFF ATS-PLC Communication Interface

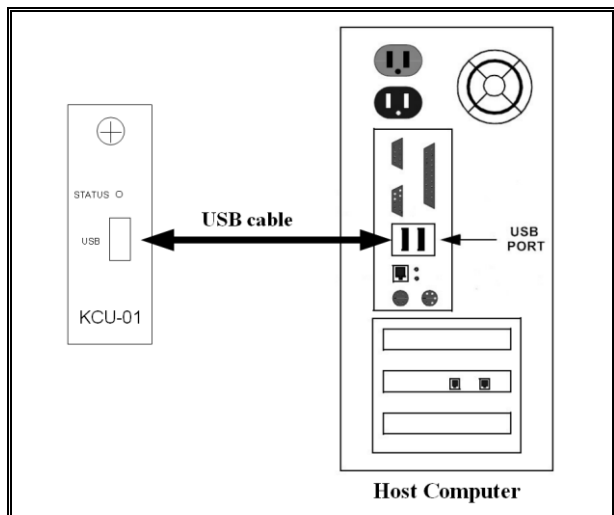
Remark : If remote access is programmed to "Remote access cancelled" or "turn OFFATS-PLC communication interface", user can only execute monitoring and changing system parameter and unable to execute controller command.

SECTION 4 : OPERATION

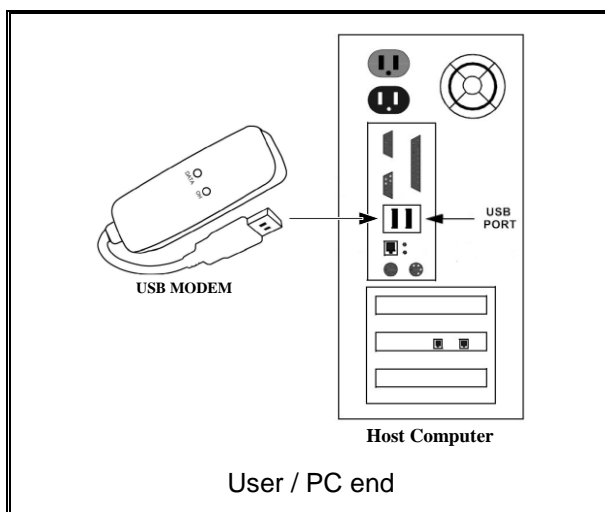
For more information on KCU-01 Data link status LED indicator, please reference from chapter 5.



Example 01 : On site / Local operation mode.






Example 02 : Remote Operation mode.




SECTION 5 : STATUS INDICATOR & TROUBLESHOOTINGS

5.1 Through the KCU-01 LED status indicator user can understand the current operating status

STATUS	DESCRIPTION
 Flash	KCU-01 communicating with Controller
 On	KCU-01 communicating with PC (Or USB modem)
 Flash	KCU-01 abnormal status

5.2 Trouble shootings

STATUS	CAUSE OF FAILURE	TROUBLESHOOTING
 Flash	KCU-01 Memory crashed	Replace KCU-01 or contact the nearest dealer
LED Indicator No transition	KCU-01 Do not operate	<ol style="list-style-type: none"> 1. Controller is under AUTO mode: Check the status of controller and if the controller is providing a failure signal, please proceed to eliminate the cause of failure and reconnect KCU-01. If the problem persists please change KCU-01 or contact the nearest dealer. 2. Controller is not under AUTO mode: Check the status of controller and if the controller is providing a failure signal, please proceed to eliminate the cause of failure and reconnect KCU-01. If the controller is operating normally, then please switch the controller to OFF mode and disconnect power for a few seconds then reconnect. If the problem still persists please change KCU-01 or contact the nearest dealer. 3. If the Controller is crashed: Firstly, disconnect power then remove all external module(s). Reconnect controller power and after eliminate the failure disconnect controller power again and connect KCU-01 to the controller and connect to power. If the problem still persists please change KCU-01 or contact the nearest dealer.