

EPMG-1270

EPMG-2470

Excitation Boost System

EPMG® converts DC battery power into a separate excitation source to provide “boost” for self-excited (shunt) generators during heavy transient loads – providing PMG performance for much less cost

Features

- EPMG® installs quickly and easily in series with any AVR (excitation current below 8A) in a self-excited generator
- EPMG® converts genset battery and/or other battery power into a separate excitation power source for dynamic response for heavy load used such as motor starting and short circuit situations – operating only when required
- Upgrades self-excited generators to PMG type performance
- Battery voltage abnormal / reverse polarity / current limiting protections
- Power output self-test
- Built-in DC fuse protection
- Low power consumption when not in use (hibernate mode)



EPMG-1270
EPMG-2470
www.kutai.com.tw

Specifications

Sensing Input	Voltage	80 to 600 Vac 1 phase	Typical System Response	10 ms
	Frequency	50/60 Hz	Static Power Consumption	Less than 0.5 watt
Power Input	EPMG-1270	8 to 18 Vdc / 50A Battery	Efficiency	Greater than 85% @ Full load
	EPMG-2470	16 to 36 Vdc / 25A Battery	Input Current Limited	EPMG-1270 @ 50A EPMG-2470 @ 25A
Output	Max. Voltage	90 Vac	Battery Voltage Range	EPMG-1270 @ 8 to 18 Vdc EPMG-2470 @ 16 to 36 Vdc
	Max. Output	400 VA		
Applicable AVR	Max. Excitation Current	8A		

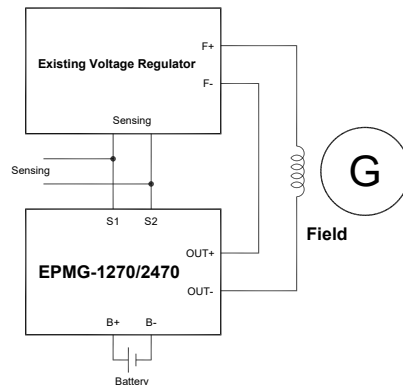
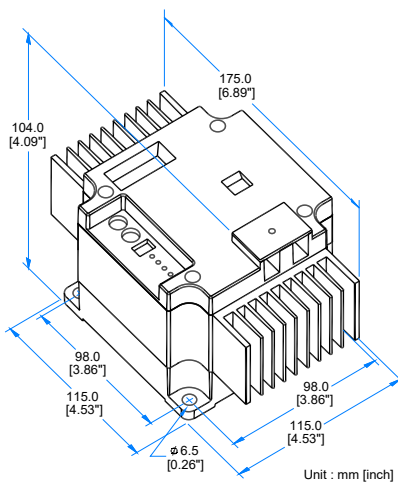
LED Indicators

Output LED	Boost Power ON
Ready LED	Ready for output
Test LED	Self-Test in progress
Batt-Volt LED	Battery voltage abnormal
OVLD LED	Overload

Adjustments

Trigger Setting	Voltage drop 3% to 16.5% (adjustable)
Gain	Output Gain (40 to 400) Output (V) = Gain x (Droop voltage / Rated voltage)

Dimensions



Environment

Operating Temperature	-40 to +60 °C
Storage Temperature	-40 to +85 °C
Relative Humidity	Max. 95%
Vibration	5.5 Gs @ 60 Hz

Physical Specifications

Dimensions	175.0 (L) x 115.0 (W) x 104.0 (H) mm
	6.89 (L) x 4.53 (W) x 4.09 (H) inch
Weight	2.9 kg +/-2%
	6.39 lb +/-2%

Accessories

Connection wire	White x 2 Brown x 2
Screw bolt M6L20	x 4

