

RA-485

Color Touch Screen Remote Annunciator

Features

- Micro-processor based design
- Compact size with 5.7-inch colorful screen
- Simple touch panel operation
- Monitoring & control multiple (up to 4) KUTAI controllers simultaneously
- Easy-to-read Gauge or Numerical Meter Display
- RS-485 protocol configuration
- Built-in alarm buzzer
- Synchronous display of real-time information (V, A, Hz...etc.)
- Allows remote synchronous operation for all the controllers
- Multi-language support
- For use with specific KUTAI programmable ATS & Generator control units



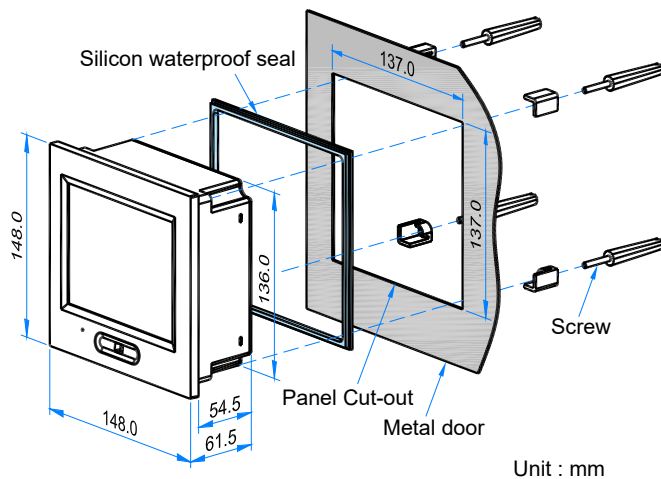
Specifications

Power Input	80 to 530 Vac
Power Consumption	Approximately 1.3 watts
RS-485 cable	Shielded twisted-pair cable
Transmission Distance	Max. 1200 M

Color Touch Screen Specifications

Display Type	a-Si TFT
Display Size	5.7-inch Diagonal
Resolution	640 x RGB x 480
Color Depth	262K
Pixel Size	0.18 x 0.18 mm
Active Area	115.2 x 86.4 mm (W x H)
Backlight Type	LED

Dimensions



Environment

Operating Temperature	-20 to +70 °C
Storage Temperature	-30 to +80 °C
Relative Humidity	Max. 90%

Physical Specifications

Panel Cut-out	137.0 x 137.0 +/-0.2 mm
Dimensions	148.0 (L) x 148.0 (W) x 61.5 (H) mm
Weight	520 g +/-2%